



QLS型吸湿空气滤清器

QLS WATER-ABSORBING BREATHER FILTER

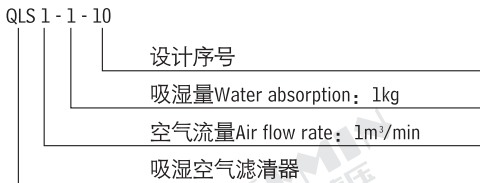
(一) 简介INTRODUCTION

液压油中水污染比起固体颗粒其危害有过之而无不及，而水份侵入主要通过油箱通气口。

液压系统工作时油箱内液面会随时发生变化。当液面下降时，潮湿空气将进入油箱，空气中的一部分水蒸气会直接溶解到油液中，一部分水蒸气遇到温度较低的油箱壁而冷凝成水滴进入油液，本型吸湿空气滤清器专门针对上述情况设计，可有效防止水份进入油箱，有利于提高液压系统工作性能和可靠性。

QLS water-absorbing breather filter can prevent water from getting into the tank. It has transparent filter bowl, so it is clear enough to see the hygroscopic agent change. It is with sealed structure.

(四) 型号说明



(五) 使用说明

本型吸湿空气滤清器工作原理如图示。干燥的吸湿剂呈蓝色，吸湿后颜色变淡并逐渐呈红色直至变成淡红色。当吸湿剂呈粉红色时，吸湿剂已近饱和，应予更换或烘干再用。

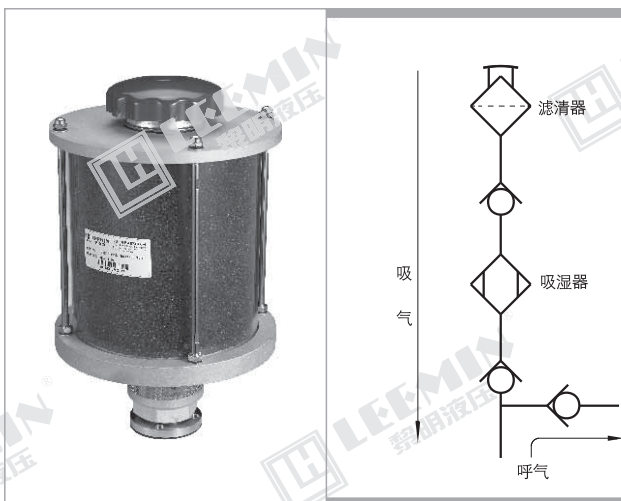
更换时可手持吸湿器下部拧松并卸下底板，然后拧下四只盖螺母，即可打开上盖更换吸湿剂。

吸湿剂可放在150℃左右烘箱中烘干，吸湿剂呈蓝色时即可重新起用。

注意：破碎的吸湿剂颗粒请勿再使用。

The air will be discharged outside directly without through the Hygroscopic agent, so it will prolong the service life of hygroscopic agent. The hygroscopic agent can be used many times after drying. The dry hygroscopic agent is blue, when it contains water, the color begins to change, until the color turn to pink, and the hygroscopic agent should be changed. Before changing hygroscopic agent, screw off the four nuts and open the cover. The water contained hygroscopic agent can be put in the 150℃ oven for drying until it turns to blue again.

Note: the broken hygroscopic agent granule can't be used again.



(二) 特点Feature

- 1、透明壳体，使得吸湿剂状态变化引起色彩变化一目了然。
- 2、封闭式结构，不经吸湿器而直接将空气排出到大气，延长吸湿剂使用寿命。
- 3、成本低廉，并且吸湿剂可经干燥后重复使用而降低维护费用。

Transparent shell, causing hygroscopic agent color changes clear at a glance
Closed structure, discharge air directly to the atmosphere, prolong the service life of hygroscopic agent

Low cost, and hygroscopic agent can reuse after drying which reduce maintenance costs

(三) 技术参数TECHNICAL DATA

空气流量 Air flow rate: 1 m³/min

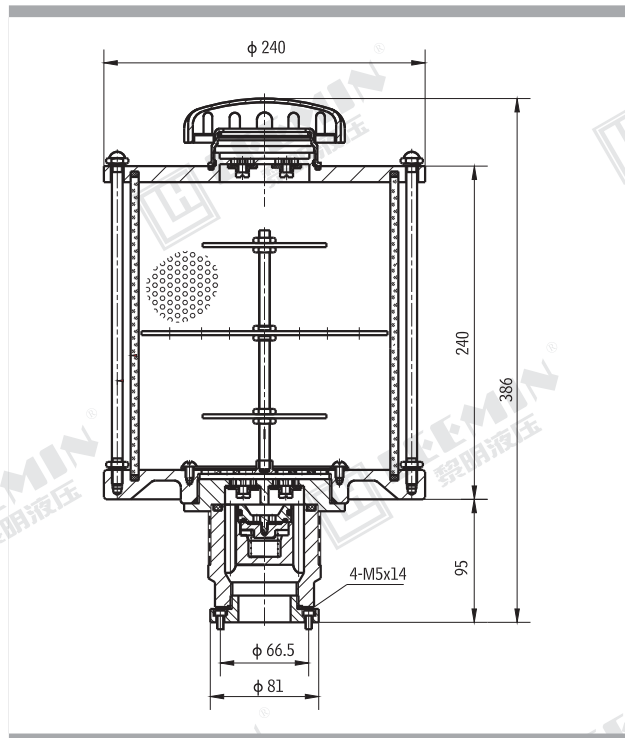
空气过滤精度 Air filtration accuracy: ≤180 μm

吸气压力 Breath in pressure: 0.03MPa

呼气压力 Breath out pressure: 0.02MPa

吸湿量 Water absorption: 1Kg

(六) 安装外形尺寸 MOUNTING SIZE



(七) 订货说明

1、订货时须写明型号代号全称，如空气流量：1m³/min

吸湿容量：1 Kg 吸湿空气滤清器：QLS1-1-10

Need to specify model with full name when you order it, such as air flow rate of 1 m³/min

Moisture absorption capacity of 1 kg, moisture absorption air filter model is QLS1-1-10