



## SZU-A SQU-A SWU-A系列双筒回油过滤器 SZU-A SQU-A SWU-A DUPLEX RETURN LINE FILTER SERIES

### (一) 简介

双筒回油过滤器是由两只单筒过滤器及二位六通换向阀组成，结构简单，使用方便，并带有旁通阀及滤芯污染堵塞发讯器，以达到保证系统安全的目的。

单筒过滤器在工作过程中，滤芯堵塞到一定程度需清洗或更换滤芯时，要停止主机工作，这样不仅浪费时间更不能满足主机连续工作的需要，双筒过滤器有效地解决了单筒过滤器这方面的缺陷，在不停机的情况下可清洗或更换滤芯来保证主机正常的连续工作。

它的工作特点是当一只过滤芯堵塞需更换时，不需要停止主机工作，只要打开压力平衡阀并转动换向阀，另一只过滤器即可参加工作，然后更换已堵塞的滤芯。

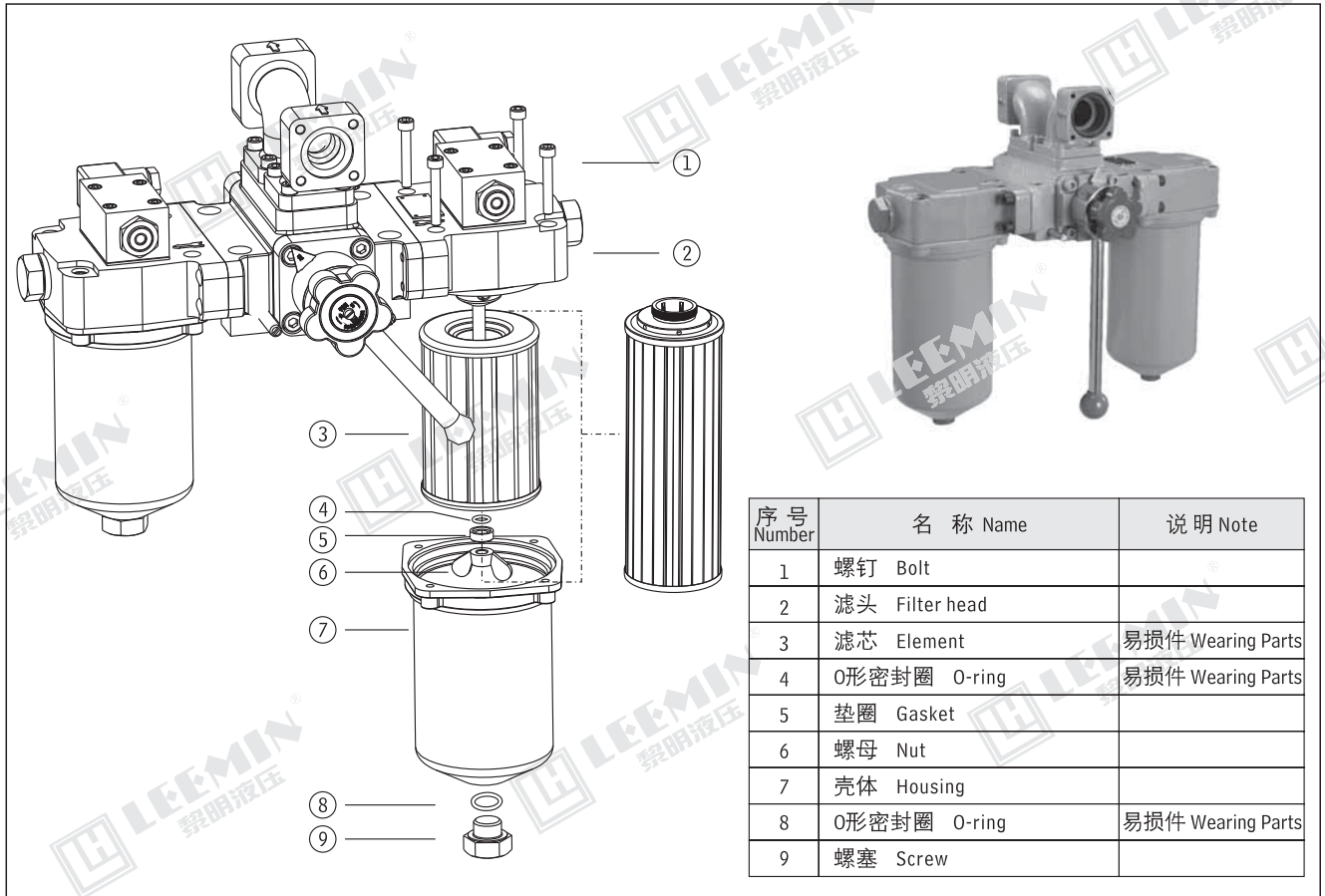
本过滤器广泛应用于重型机械、矿山机械、冶金机械等液压系统。

### INTRODUCTION

The SZU-A、SQU-A、SXU-A、SWU-A Duplex return line filter series are composed of two single bowl filters and one 2-position 6-way directional valve. It is simple in structure and easy to use, There is by-pass valve and contamination indicator in it, for protecting the hydraulic system safety.

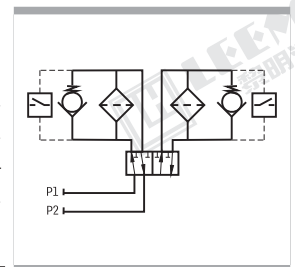
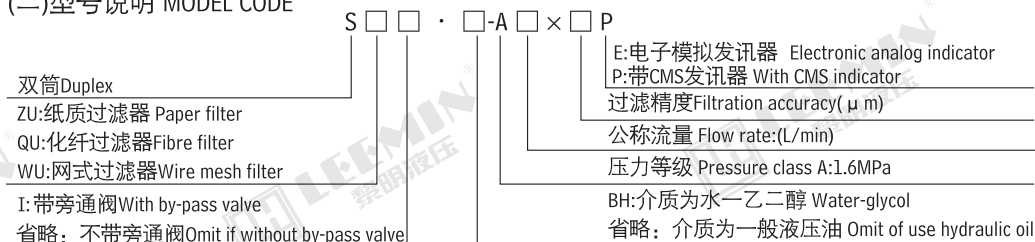
The feature of this filter allows continues operation during replacing the element which is clogged by contaminant. By opening the balance valve and turning the direction valve, the other filter will be working, the clogged element should be changed at that time.

This series filter is widely used in the hydraulic systems of heavy-duty mining and metallurgical machines.



序号 Number	名称 Name	说明 Note
1	螺钉 Bolt	
2	滤头 Filter head	
3	滤芯 Element	易损件 Wearing Parts
4	O形密封圈 O-ring	易损件 Wearing Parts
5	垫圈 Gasket	
6	螺母 Nut	
7	壳体 Housing	
8	O形密封圈 O-ring	易损件 Wearing Parts
9	螺塞 Screw	

### (二)型号说明 MODEL CODE



注: 用户订购过滤器需配【电子模拟发讯器】时, 请与我公司技术部联系。



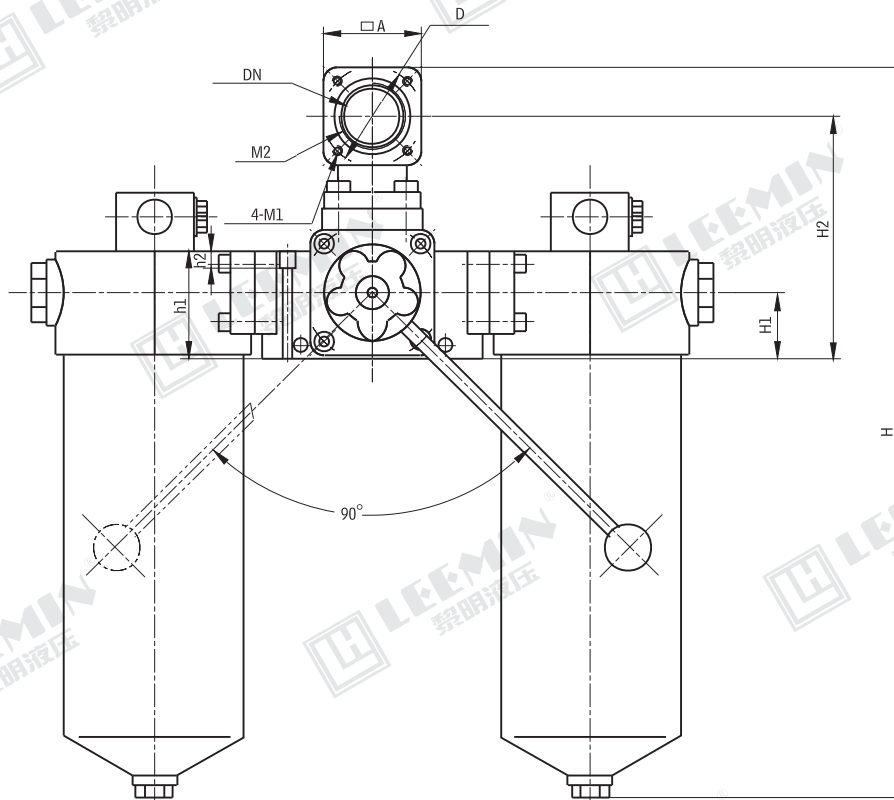
(三) 技术参数 TECHNICAL DATA

型号 Model	通径 Dia. (mm)	公称流量 Flow rate (L/min)	过滤精度 Filtr. ( $\mu$ m)	公称压力 Press. (MPa)	压力损失 Pressure loss(MPa)		旁通阀开启压力 By-pass setting (MPa)	发讯装置功率 Indicator power	重量 Weight (Kg)	滤芯型号 Model of element
					Initial	Max.				
S□U-A25×*P	20	25	3	1.6	0.05	0.35	0.4	24V/48W 220V/50W	15.4	STZX <sub>2</sub> -25X*#
S□U-A40×*P	20	40			0.05					STZX <sub>2</sub> -40X*#
S□U-A63×*P	32	63	0.07		STZX <sub>2</sub> -63X*#					
S□U-A100×*P	32	100	0.12		STZX <sub>2</sub> -100X*#					
S□U-A160×*P	40	160	0.15		STZX <sub>2</sub> -160X*#					
S□U-A250×*P	50	250			STZX <sub>2</sub> -250X*#					
S□U-A400×*P	65	400			STZX <sub>2</sub> -400X*#					

注: \*为过滤精度, #为过滤材料, 若使用介质为水—乙二醇, 使用压力1.6MPa, 公称流量63L/min, 滤材为纸质, 带发讯器和旁通阀, 则过滤器型号为: SZUI·BH-A63×\*P, 滤芯型号为STZX<sub>2</sub>·BH-63×\*。滤材为化纤, 过滤精度为10~15 $\mu$ m, 带发讯器, 则过滤器型号为: SQ,U-A63×\*P, 滤芯型号为:STZX<sub>2</sub>-63\*Q。滤材为化纤, 过滤精度为1~5 $\mu$ m, 带发讯器, 则过滤器型号为:SQ,U-A63×\*P, 滤芯型号为:STZX<sub>2</sub>-63\*Q。滤材为金属网, 带发讯器, 则过滤器型号:SWU-A63×\*P, 滤芯型号为:STZX<sub>2</sub>-63×\*W。

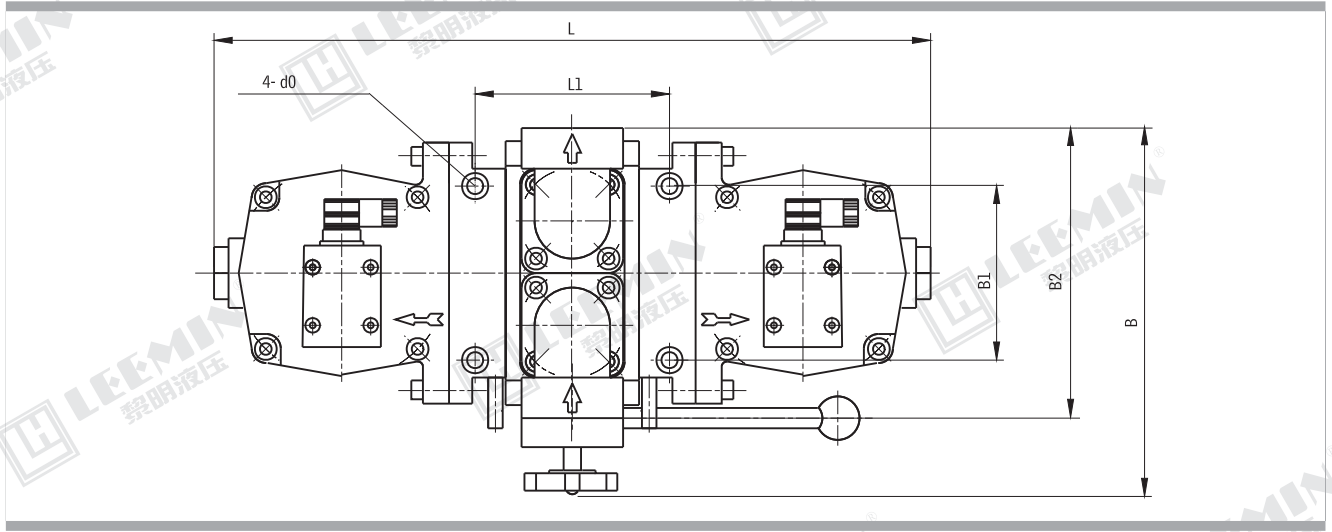
Note: \* is represents filtration, # is filter media If the filter fluid is water-glycol, usage pressure 1.6MPa,flower rate 63L/min,filter media is paper, the filter equipped with indicator and by-pass valve, the model of the fi-ter is SZUI·BH-A63×\*P. that of the element is STZX<sub>2</sub>·BH-H63×\*,if filter media is fibre and filtration 10~15 $\mu$ m,and the filter equipped with indicator, the model of the filter is S Q,u-A63×\*P,that of the element is STZX<sub>2</sub>-A63×\*Q,if filter media is fibre and filtration 1~5 $\mu$ m, and the filter equipped with Indicator, the model of the filter is SQ,u-A63×\*P, that of the element is STZX<sub>2</sub>-63×\*Q. if filter media is wire mesh, and the filter equipped with indicator, the model of the filter is SWU·BH-A63×\*P, that of the element is STZX<sub>2</sub>·BH-63×\*W.

(四) 安装外形尺寸 MOUNTING SIZE





**LEEMIN**  
黎明液压



单位:Unit:mm

型号 Model	DN	D	M1	A	M2	B2	H1	H2	L1	B1	d0	L	B	H	h1	h2
SZU—A25 × *P	20	50	M6	50	M27 × 2	148	35	128	100	78	9	362	200	298	54	8
SZU—A40 × *P														358		
SZU—A63 × *P	32	63	M6	56	M42 × 2	160	35	135	107	110	9	426	222	384	59.5	8
SZU—A100 × *P														484		
SZU—A160 × *P	40	72	M8	70	M48 × 2	200	48	176	134	116	11	498	246	539	78	11
SZU—A250 × *P	50	82	M8	78		184	54	190	146	138	11	586	272	661	89	12
SZU—A400 × *P	65	102	M10	95		224	68	228	170	182	13.5	638	322	832	111	15

注: SQU-A、SWU-A系列与SZU-A系列所有尺寸都相同。原SXU-A系列样本已取消, 建议选用SWU-A系列过滤器, 其综合性能优于SXU-A系列  
Note: all sizes of SQU-A、SWU-A series and SZU-A series are same.