



SRFB系列双筒直回式回油过滤器

SRFB DUPLEX TANK MOUNTED RETURN FILTER SERIES

(一) 简介

该过滤器是由两只单筒过滤器、换向阀、旁通阀、发讯器、扩散器等组成。它被安装在油箱顶部，侧面或底部，可在系统不停机的情况下更换滤芯，适用于连续工作的液压系统回油精过滤，用来滤除液压系统中诸元件磨损产生的金属粉末以及密封件的橡胶杂质等，使流回油箱的油液保持清洁，以利于系统中的油液循环使用。

当一只过滤器的滤芯堵塞致使进出口压差为0.35MPa时，发讯器发讯，这时，转动换向阀，使备用滤油器工作，然后更换已堵塞的滤芯。

在因故不能及时更换已堵塞滤芯，使进出口压差进一步上升到0.4MPa时，旁通阀自动开始工作，从而保护滤芯及系统正常工作，但用户应尽快更换滤芯。

因设有止回阀，当过滤器置于油箱侧面和底部时，在更换滤芯也不会使油箱内的油液流出。扩散器设置在回油筒体底部，能使回油的介质平稳地流入油箱内，不易产生气泡，减少了空气的重新进入，并减弱已沉积污染物的骚动。

滤芯采用新型化纤过滤材料，具有过滤精度高、通油能力大、原始压力损失小、纳污量大等优点，其过滤精度以绝对过滤精

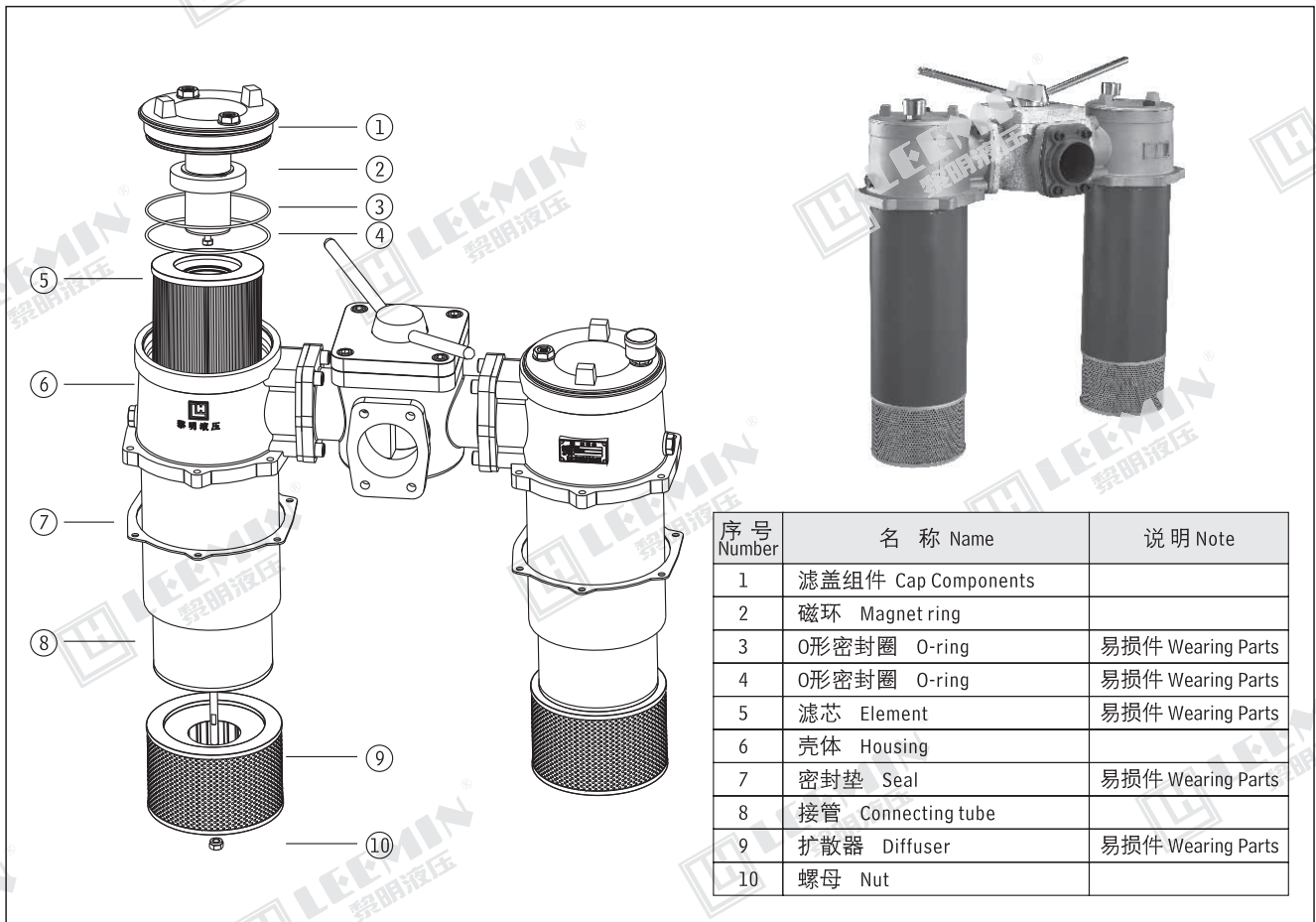
度标定，过滤比 $\beta_{3、5、10、20} \geq 200$ ，过滤效率 $n \geq 99.5\%$ ，符合ISO标准。

INTRODUCTION

The SRFB series filter is composed of two single bowl filters and a 2-position 3-way directional valve, by-pass valve, indicator, diffuser. It is simple in structure and easy to use. It can be installed on the top, at the side or in the bottom of the tank; there is by-pass valve and contamination indicator in it, for protecting the hydraulic system safety. The feature of this filter allows continuous operation even during replacing element, which is clogged by contaminant. When the filter element is clogged by contaminant that results in the pressure reaching to 0.35Mpa, the indicator will give signals. At this time, turn the directional valve in order to make the other filter work then change the element.

If the filter can't be changed in time that make the pressure reaches to 0.4Mpa, then the by-pass valve will open to keep the system safety. The filter has check valve, so when it was installed at the side or in the bottom of the tank and change element, it won't let the oil flow out of the tank. The diffuser is installed under the filter bowl, which makes the medium flow stably into the tank.

The filter element is with high filtration accuracy, low initial pressure loss and high dirt-holding capacity. Filter ratio $\beta_{3、5、10、20} \geq 200$, filter efficiency $n \geq 99.5\%$, and fit the ISO standard.



序号 Number	名称 Name	说明 Note
1	滤盖组件 Cap Components	
2	磁环 Magnet ring	
3	O形密封圈 O-ring	易损件 Wearing Parts
4	O形密封圈 O-ring	易损件 Wearing Parts
5	滤芯 Element	易损件 Wearing Parts
6	壳体 Housing	
7	密封垫 Seal	易损件 Wearing Parts
8	接管 Connecting tube	
9	扩散器 Diffuser	易损件 Wearing Parts
10	螺母 Nut	



LEEMIN
黎明液压

(二) 型号说明 MODEL CODE

SRFB · □ - □ × □ - □ - □

双筒直回式回油过滤器
Duplex tank mounted return filter

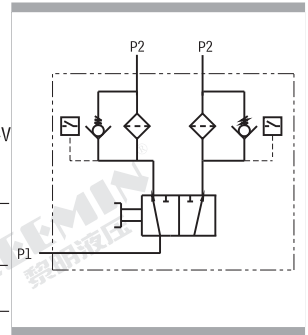
BH: 介质为水—乙二醇 Water-glycol
省略: 介质为一般液压油 Omit if use hydraulic oil

公称流量: Flow rate:(L/min)

E: 电子模拟发讯器 Electronic analog indicator
Y: 带CYB-I型发讯器 With CYB-I indicator \leq DC24V
C: 带CY-II型发讯器 With CY-II indicator \leq 220V
省略: 不带发讯器 Omit if without indicator

用户所需Y尺寸(mm) Size Y as requested
最短30mm 按10mm的倍数选择

过滤精度: Filtration accuracy(μ m)



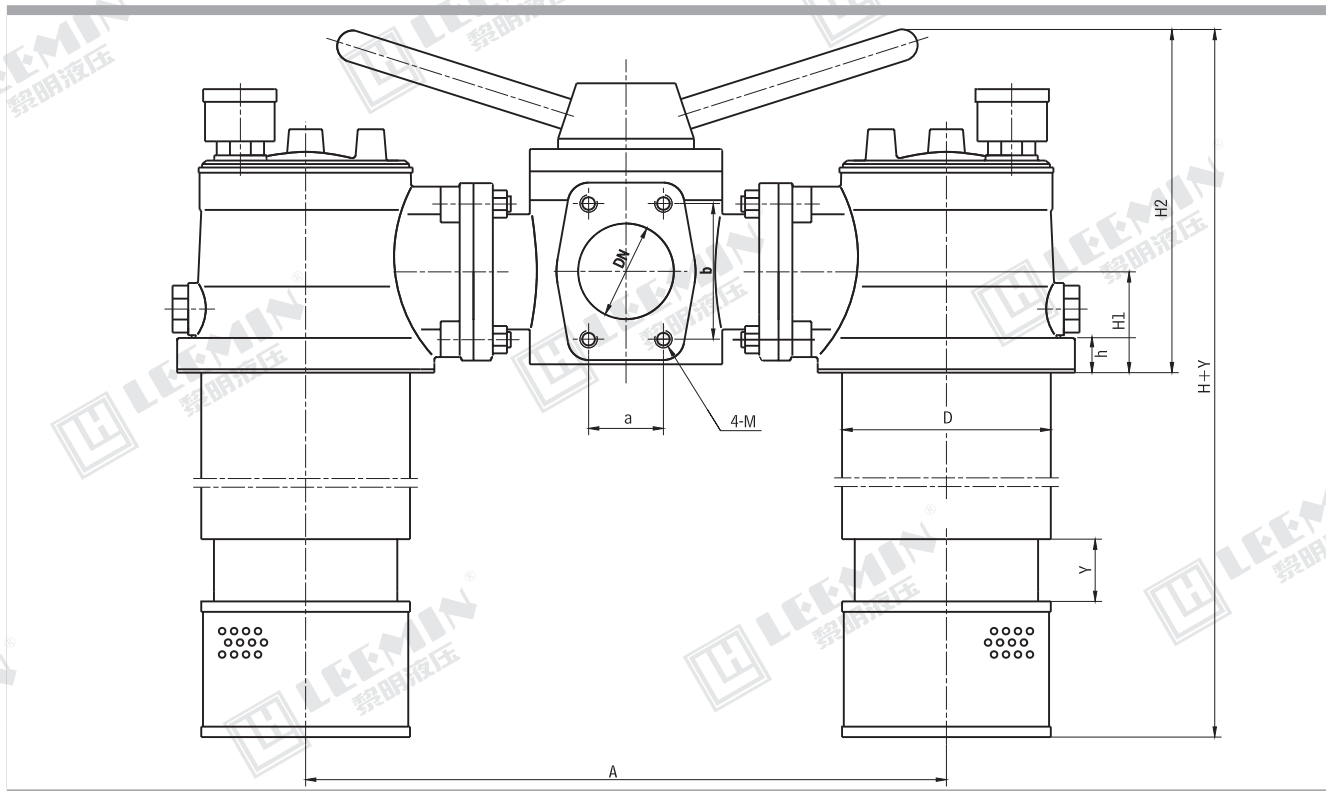
注: 用户订购过滤器需配【电子模拟发讯器】时, 请与我公司技术部联系。

(三) 技术参数 TECHNICAL DATA

型号 Model	公称流量 Flow rate (L/min)	过滤精度 Filtr. (μ m)	公称压力 Press. (MPa)	压力损失 Pressure loss(MPa)		发讯装置 Indicator		重量 Weight (kg)	连接方式 Connect	滤芯型号 Model of element
				Initial	Max.	(V)	(A)			
SRFB-25 × * - C - Y	25	3	\leq 1.6	\leq 0.075	0.35	12	2.5		法兰 Flange	SFBX-25 × *
SRFB-40 × * - C - Y	40									SFBX-40 × *
SRFB-63 × * - C - Y	63									SFBX-63 × *
SRFB-100 × * - C - Y	100	5				24	2			SFBX-100 × *
SRFB-160 × * - C - Y	160									SFBX-160 × *
SRFB-250 × * - C - Y	250	10				36	1.5			SFBX-250 × *
SRFB-400 × * - C - Y	400									SFBX-400 × *
SRFB-630 × * - C - Y	630	20				220	0.25			SFBX-630 × *
SRFB-800 × * - C - Y	800									SFBX-800 × *
SRFB-1000 × * - C - Y	1000	30								SFBX-1000 × *
SRFB-1300 × * - C - Y	1300		SFBX-1300 × *							

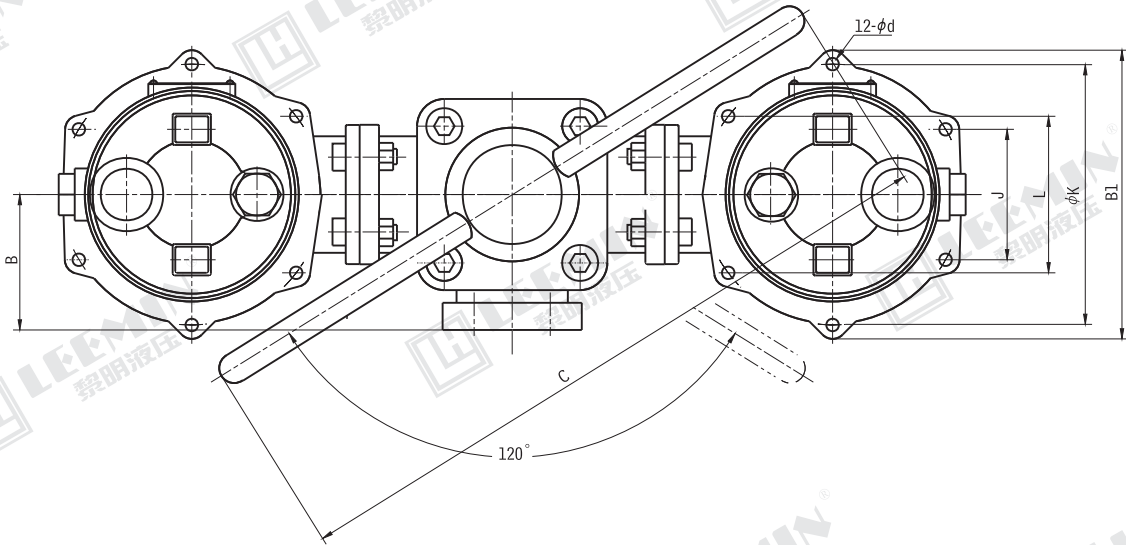
注: *为过滤精度。若使用介质为水—乙二醇, 使用压力1.6MPa, 公称流量63L/min, 过滤精度10 μ m, 带CYB-I发讯器。则过滤器型号为SRFB · BH-63 × 10-Y, 滤芯型号为SFBX · BH-63 × 10

Note: *is represents filtration. If the filter fluid is water-glycol, usage pressure 1.6MPa, flower rate 63L/min, filtration accuracy 10 μ m and the filter equipped with CYB-I indicator. The model of the filter is SRFB · BH-63 × 10-Y, the model of element is SFBX · BH-63 × 10





LEEMIN
黎明液压



型号 Model	尺寸 Size (mm)																	
	DN	a	b	M	H1	H2	h	B	φK	J	L	B1	d	A	D	H	C	Q
SRFB-25 × * - C	φ 50	43	78	M10	58	178	20	81	φ 150	75	90	168	φ 7	360	φ 124	361	350	φ 60
SRFB-40 × * - C																386		
SRFB-63 × * - C																424		
SRFB-100 × * - C																486		
SRFB-160 × * - C																561		
SRFB-250 × * - C	φ 80	62	106	M12	74	252	22	120	φ 225	112	132	245	φ 9	494	φ 186	603	545	φ 90
SRFB-400 × * - C																753		
SRFB-630 × * - C																923		
SRFB-800 × * - C																993		
SRFB-1000 × * - C																1160		
SRFB-1300 × * - C																1500		

注：进油口连接法兰由我公司提供，用户只需准备好外径φQ尺寸管子焊上即可。Note: the inlet will be our plant, the customer only need welding steel tube Q.