



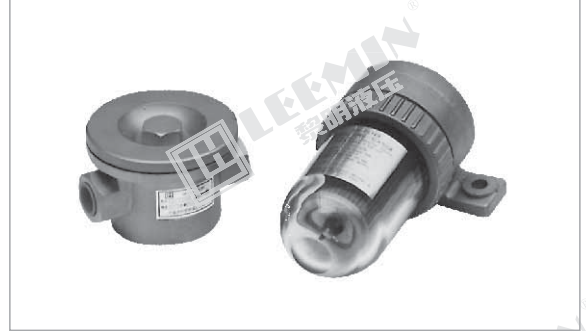
CWU系列磁性过滤器 CWU MAGNETIC FILTER SERIES

CWU-10X100B 磁性过滤器用于精密车床中润滑油的过滤，产品外壳为有机玻璃，为滤除加工中产生的超细铁屑粉末，滤芯中装了永久磁铁。

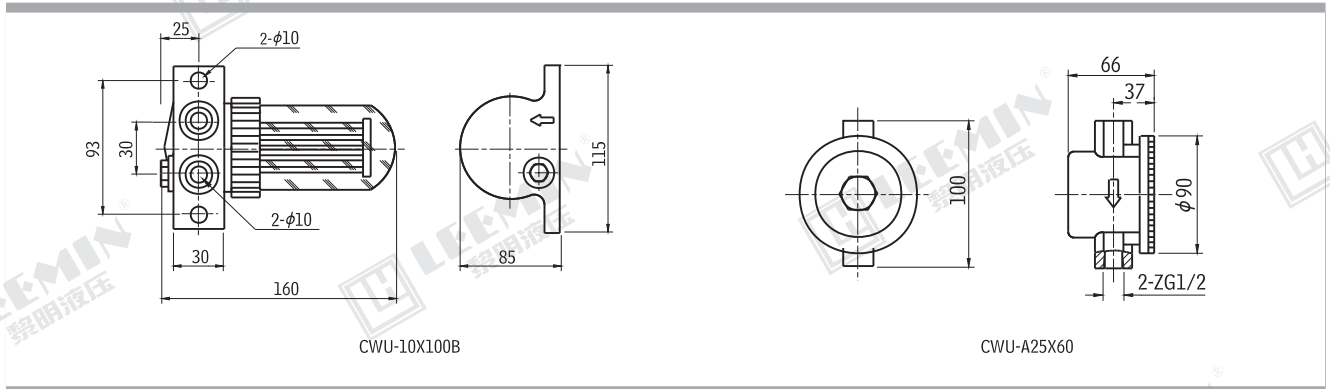
CWU-A25X60 磁性过滤器用于精密机床中主轴箱等润滑油的过滤，滤芯中装有永久磁铁，滤材为不锈钢丝网，便于清洗。

There are two models in this series. CWU-10X100B magnetic filter is used in the lubricating system of precision lathe. Filter element is made of stainless steel wire Mesh which can keep the system clean.

CWU-A25X60 filter is used in the head box of precision lathe. There is a permanent magnet in the core of element the filter, media is made of stainless steel wire mesh.



型号 Model	压力Pressure (MPa)	流量Flow (L/min)	过滤精度Filtr. (μ m)	温度 Temp.
CWU-10X100B	0.5	10	100	$50 \pm 5^{\circ}\text{C}$
CWU-A25X60	1.6	25	60	



CGQ系列强磁管路过滤器 CGQ STRONG MAGNET LINE FILTER SERIES

(一) 简介

强磁管路过滤器由采用高矫顽力的强磁性材料与阻拦滤网组合而成，吸附力是一般磁性材料的十倍，具有在瞬间液流冲击或高流速状态下，吸附微米级的铁磁性污染物的能力，并能克服在高速大冲击下冲下的铁磁性污染物重新被吸附住，从而避免了液压元件的卡死或磨擦时的磨损，延长液压元件及液压系统的使用寿命，增强液压系统的可靠性。在电液伺服系统和电液比例系统中应用，效果十分明显。

该产品广泛应用于采用电液伺服系统，电液比例系统及一般液压传动系统的机械设备，船舶，武器装备及液压试验台等。

INTRODUCTION

The CGQ series filters have magnets with high coercive force. whose attraction is 10 times stronger than regular magnet, so all the magnetic containments can be removed by this filter at high flow rate. It can be used before the main components and get the reliability of the hydraulic system. This series filters are widely used in electro-hydraulic servo and proportion system.

