



## DFB 系列高压板式过滤器

### DFB PRESSURE FILTER FOR PLATED CONNECTION SERIES

#### (一) 简介

该高压板式过滤器可直接安装系统的阀块上，用于进一步清除或阻挡由于外界侵入或元件工作时磨损，所产生的杂质。特别适用自动控制系统和伺服系统。它可防止高精度的控制元件和执行元件由于污染而过早磨损或卡死，从而可减少故障，延长元件使用寿命。

该过滤器设有压差发讯器，当滤芯被污染堵塞到进出口压差为0.5MPa时，即发出开关信号，此时应清洗或更换滤芯，此达到保证系统安装的目的。

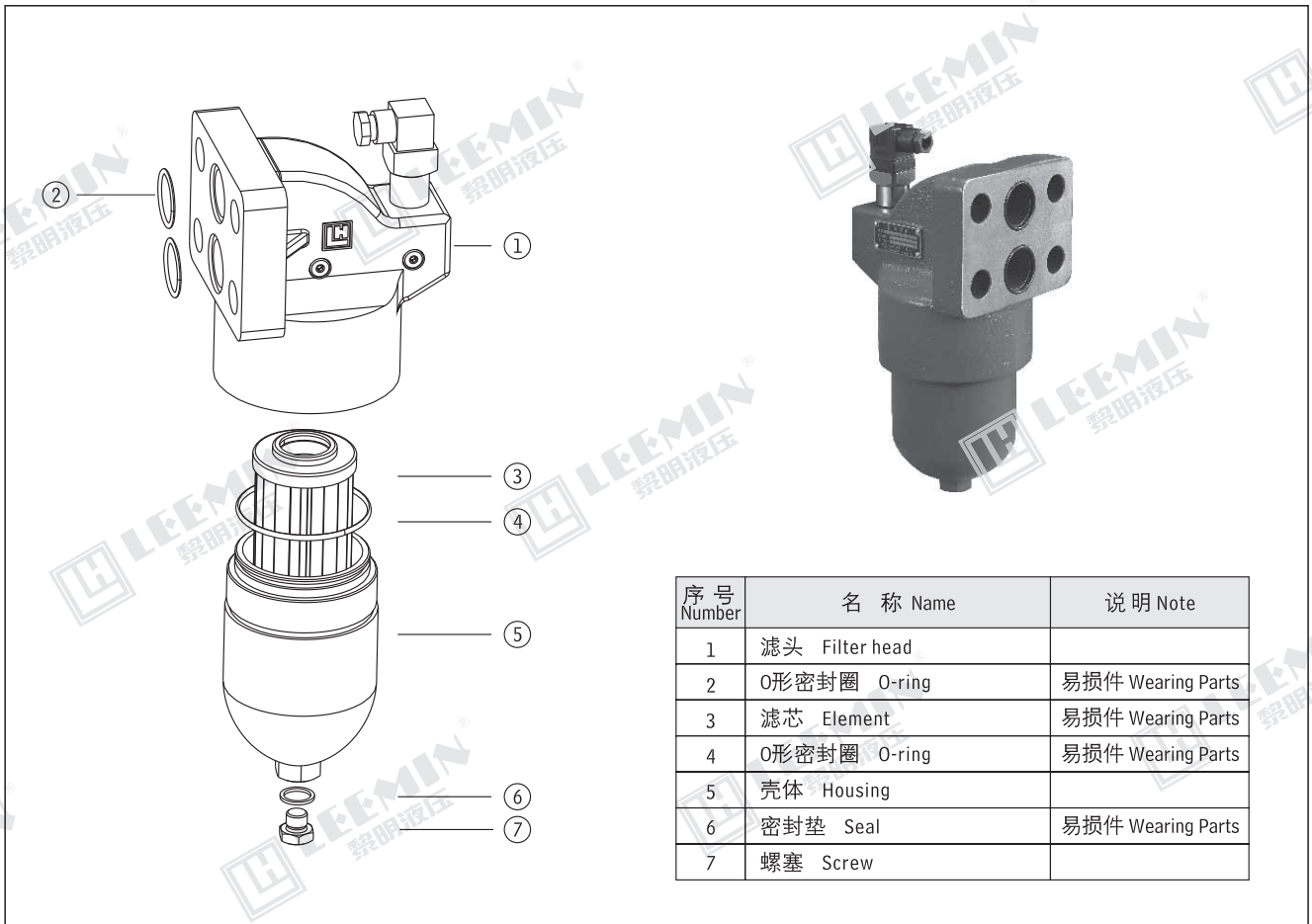
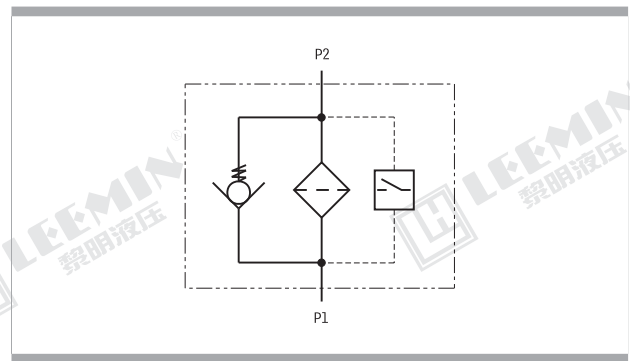
该过滤器与传统过滤器相比具有安装结构紧凑，体积小特点，且滤芯采用进口玻璃纤维滤材，具有过滤精度高，通油能力强，原始压力小，纳污量大等优点。过滤精度以绝对过滤精度标定，其过滤比 $\beta_3$ 、5、10、20 $\geq 200$ 过滤效率 $n \geq 99.5\%$ 。符合ISO标准。

#### INTRODUCTION

DFB series filter is of high pressure type, and used in the pressure line of hydraulic system. It can remove all the contaminants from the hydraulic system. The element of this series is made of glass fibre. it has high efficiency and

filtration, large dirt capacity and low initial pressure drop. Beta ratio is over 200.

It has two protection equipment which are by-pass valve and contamination indicator. The indicator will act when the pressure drop across element attains adjustable pressure. The element should be cleaned or changed in time.



序号 Number	名称 Name	说明 Note
1	滤头 Filter head	
2	O形密封圈 O-ring	易损件 Wearing Parts
3	滤芯 Element	易损件 Wearing Parts
4	O形密封圈 O-ring	易损件 Wearing Parts
5	壳体 Housing	
6	密封垫 Seal	易损件 Wearing Parts
7	螺塞 Screw	



(二) 型号说明 MODEL CODE

DFB · □ - □ □ × □ □

高压板式过滤器  
Pressure filter for sandwich stacking

BH: 介质为水—乙二醇 Water-glycol  
省略: 介质为一般液压油 Omit if use hydraulic oil

公称压力 Pressure class H: 32MPa  
J=42MPa(330-660规格)

E: 电子模拟发讯器 Electronic analog indicator  
C: 带CS-III型压差发讯器 With CS-III indicator  
M1: 带CM-IC型目视压差发讯器 With CM-IC indicator  
省略: 不带发讯器 Omit if without indicator

过滤精度 Filtration accuracy ( $\mu\text{m}$ )

公称流量 Flow rate (L/min)

注: 用户订购过滤器需配【电子模拟发讯器】时, 请与我公司技术部联系。

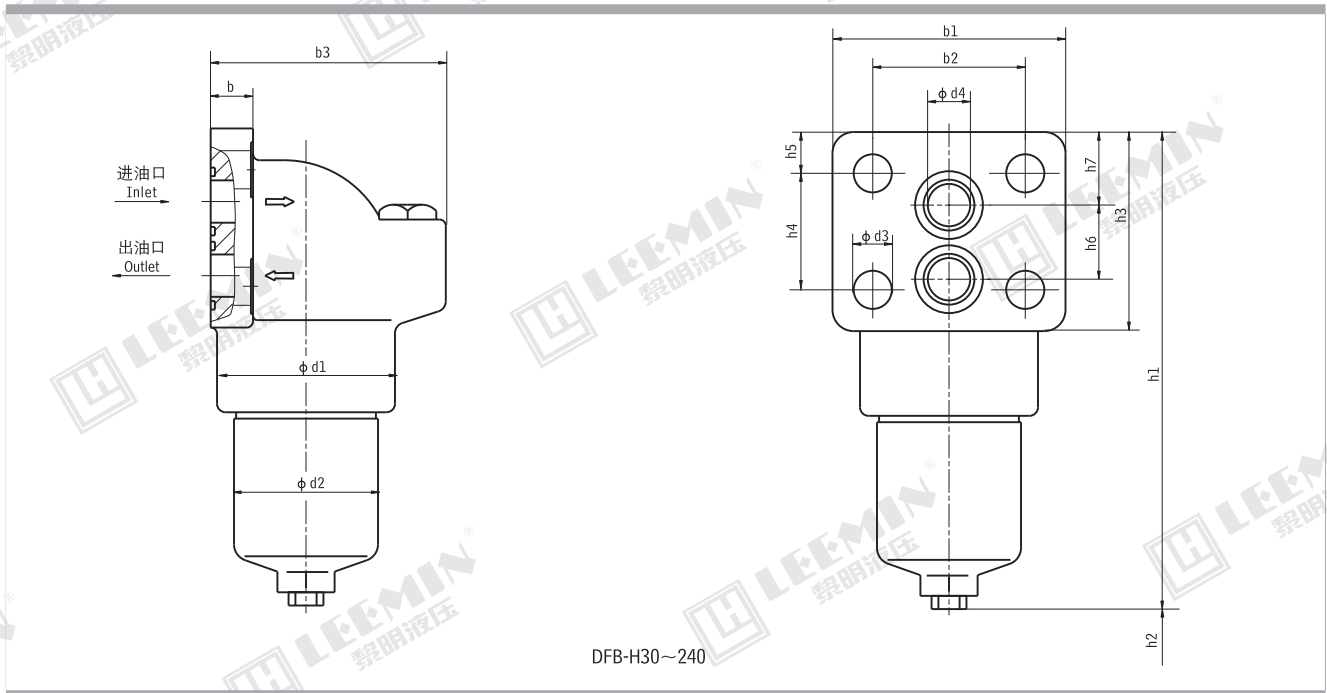
(三) 技术参数 TECHNICAL DATA

型号 Model	通径 Dia. (mm)	公称流量 Flow rate (L/min)	过滤精度 Filtr. ( $\mu\text{m}$ )	公称压力 Press. (MPa)	压力损失 Pressure loss (MPa)		发讯器功率 Indicator power (V/W)	滤芯型号 Model of element	进出油口 O形圈 O-ring
					Initial	Max.			
DFB-□30 × *C	16	30	3	J=42	≤0.1	0.5	220V/50W	LH0030D*BN3HC	24 × 2.4
DFB-□60 × *C	20	60						LH0060D*BN3HC	32 × 3.1
DFB-□110 × *C		110	5	LH0110D*BN3HC	40 × 3.1				
DFB-□160 × *C	32	160	10	LH0160D*BN3HC					
DFB-□240 × *C		240	20	LH0240D*BN3HC					
DFB-□330 × *C		330	30	LH0330D*BN3HC					
DFB-□500 × *C		500		LH0500D*BN3HC					
DFB-□660 × *C	660			LH0660D*BN3HC					

注: \*为过滤精度。若使用介质为水—乙二醇, 使用压力32MPa, 公称流量60L/min, 过滤精度10  $\mu\text{m}$ , 带CS-III发讯器。则过滤器型号为 DFB · BH-H60 × 10C, 滤芯型号为LH0060D010BN3HC.BH

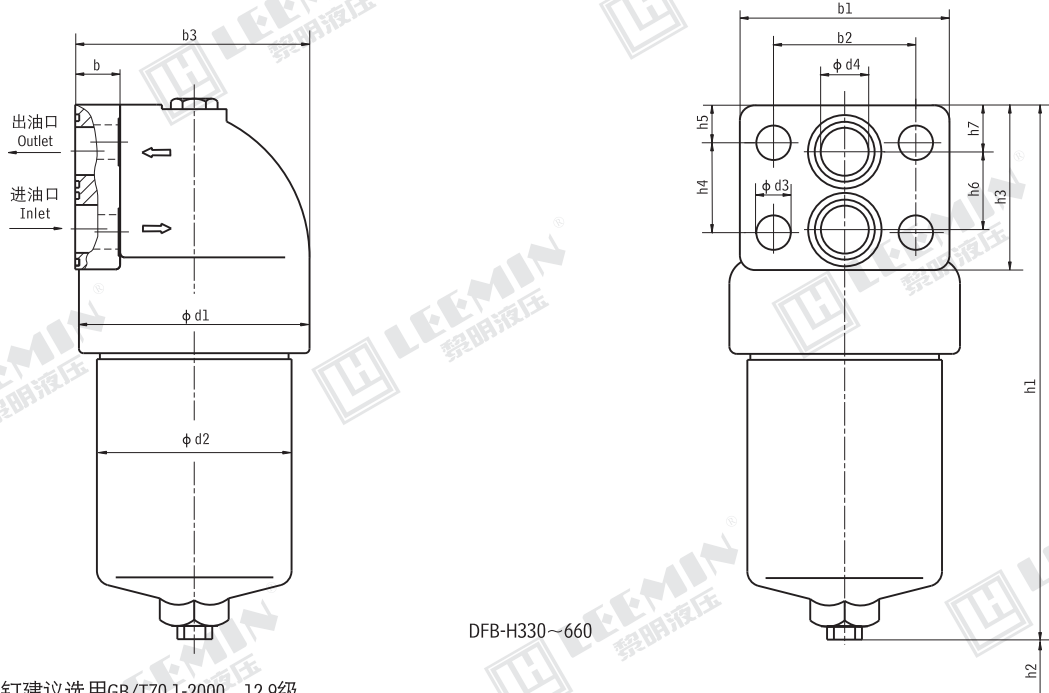
Note: \* is filtration accuracy. If the filter fluid is water-glycol, usage pressure 32MPa, flow rate 60L/min, filtration accuracy 10  $\mu\text{m}$  and with CS-III indicator. The model of the filter is DFB · BH-H60 × 10C, the model of element is LH0060D010BN3HC.BH

(四) 安装外形尺寸 MOUNTING SIZE

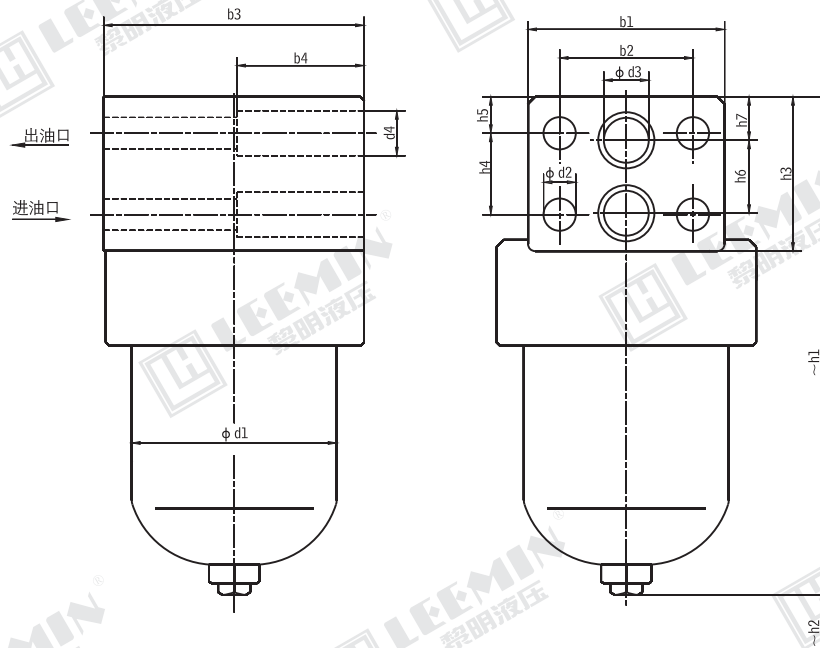




**LEEMIN**  
黎明液压



型 号 Model	$\phi d1$	$\phi d2$	$\phi d3$	$\phi d4$	b	b1	b2	b3	h1	h2	h3	h4	h5	h6	h7
DFB-H30 × *C	71	54	12	16	18	80	57	94	210	75	76	45	15.5	28	30.5
DFB-H60 × *C	92	73	18	20	20	110	72	115	240	75	94	55	19.5	35	34.5
DFB-H110 × *C	92	73	18	20	20	110	72	115	309	75	94	55	19.5	35	34.5
DFB-H160 × *C	124	102	22.5	32	30	140	95	153	293	85	110	60	25	52	31
DFB-H240 × *C	124	102	22.5	32	30	140	95	153	351	85	110	60	25	52	31
DFB-H330 × *C	178	146	22.5	32	30	140	95	180.5	372	115	110	58	26	52	32
DFB-H500 × *C	178	146	22.5	32	30	140	95	180.5	454	115	110	58	26	52	32
DFB-H660 × *C	178	146	22.5	32	30	140	95	180.5	528	115	110	58	26	52	32



DFB-J330~660

注：安装螺钉建议选用GB/T70.1-2000 12.9级

型 号 Model	$\phi d1$	$\phi d2$	$\phi d3$	$\phi d4$	b1	b2	b3	b4	~h1	h2	h3	h4	h5	h6	h7
DFB-J330 × *C	146	22.5	32	32	140	95	185	90	372	115	110	58	26	52	32
DFB-J500 × *C	146	22.5	32	32	140	95	185	90	465	115	110	58	26	52	32
DFB-J660 × *C	146	22.5	32	32	140	95	185	90	539	115	110	58	26	52	32

## BR 系列双向可逆过滤器 BR DIRECTIONAL-FLOW FILTER SERIES

### (一) 简介

该过滤器可安装在液流方向频繁切换的元件前，用以进一步清除或阻挡由于外界带入元件工作时磨损以及介质本身化学作用所产生的杂质，并解决了一般过滤器油液只能单向方向流动并过滤的问题，简化了系统的管路，节省空间，使系统布置更为紧凑。

该过滤器采用进口玻璃纤维滤材，具有过滤精度高，通油能力强，纳污量大等优点。过滤精度以绝对过滤精度标定，其过滤比 $\beta_{3, 5, 10, 20} \geq 200$ 过滤效率 $\eta \geq 99.5\%$ 。符合ISO标准。

该过滤器设有压差发讯装置，当滤芯污染堵塞至进出口压差值为发讯器调定压力时，发讯器发讯，此时必须更换滤芯。

### INTRODUCTION

The fluid of the filter has a changing flow directions. It solve the problem that the oil can only be filter by filters with single flow direction.

The filter element is made of glass fiber, so it has high filtration accuracy, low initial pressure loss, high dirt-holding capacity and so on. Filter ratio  $\beta_{3, 5, 10, 20} \geq 200$ , filter efficiency  $\eta \geq 99.5\%$ , and fit the ISO standard.

It has contamination indicator. When the filter element is blocked by contamination and the pressure reaches to setting up pressure, the indicator will give signals showing the element should be changed.