



DDRLF系列大流量双筒管路过滤器 DDRLF DUPLEX LARGE FLOW RATE LINE FILTER SERIES

(一) 简介

DDRLF系列大流量双筒管路过滤器主要由两只单筒过滤器、旁通阀、换向阀、平衡阀、发讯器等组成。平衡阀管路连接两侧筒体，减小换向时的压力冲击；换向阀采用球阀联动结构，使用方便、性能稳定。

单筒过滤器在工作过程中滤芯堵塞到一定程度需清洗或更换时，要停止主机工作，这样不仅浪费时间更不能满足主机连续工作的需要，双筒过滤器有效地解决了单筒过滤器这方面的缺陷，在不停机的情况下可清洗或更换滤芯以保证主机正常连续工作。

它的工作特点是当一只过滤器滤芯堵塞需更换时，不需要停止主机工作，只要打开压力平衡阀并转动换向阀，另一只过滤器即可参加工作，然后更换已堵塞的滤芯，需更换滤芯侧过滤筒，允许少量内泄漏。

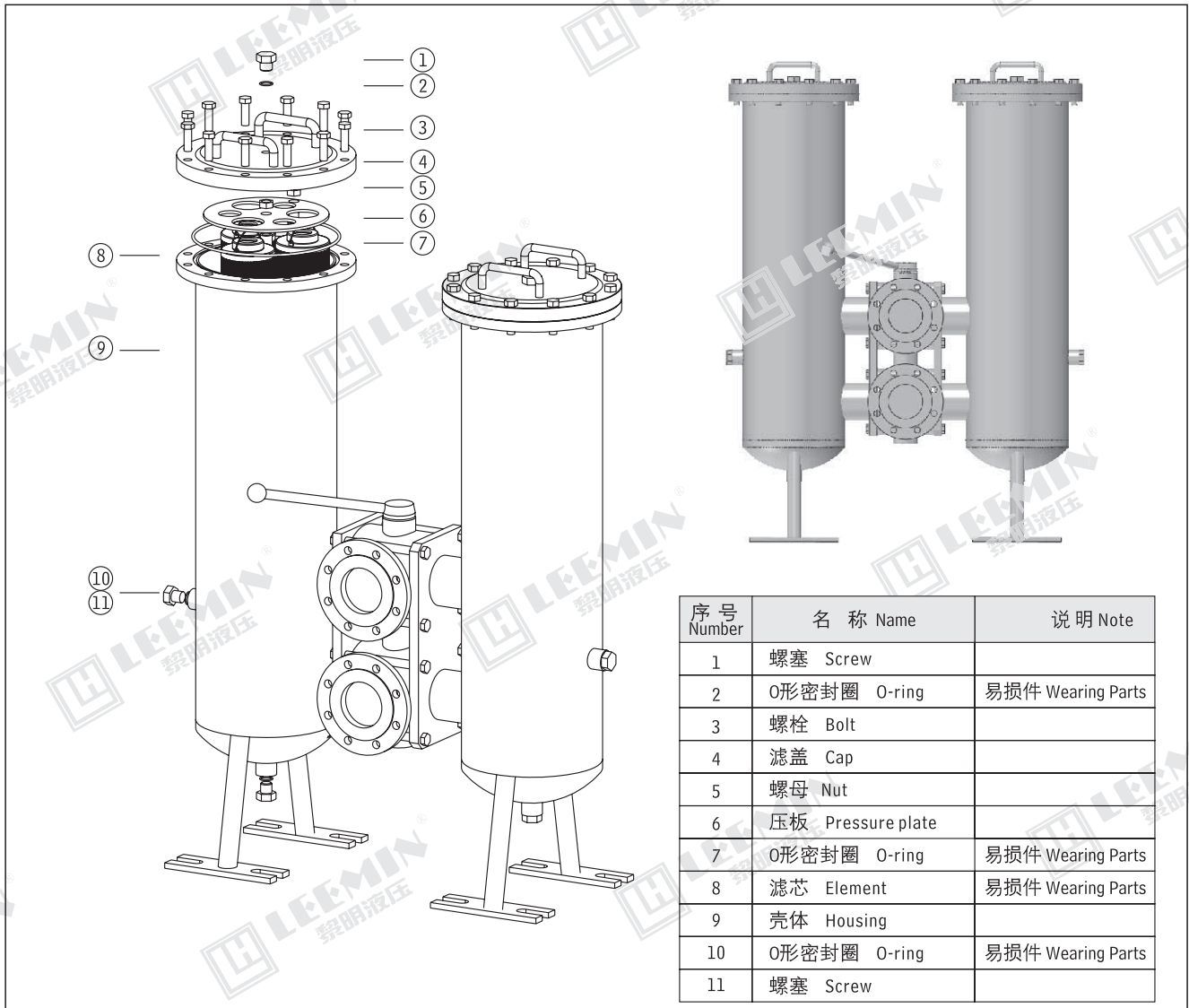
本过滤器广泛应用于重型机械、矿山机械、冶金机械等连续工作的液压系统。

INTRODUCTION

DDRLF series duplex large flow rate filter is mainly composed of two single drum filter, by-pass valve, reversing valve, balance valve, transmission device, etc. Balancing valve connection on both sides of the cylinder, decrease the reversing impact pressure; Reversing valve adopts ball valve linkage structure, easy to use and with stable performance.

The feature of this filter allows continues operation even during element is changed for which is clogged by contaminants. After opening the balance valve and then turn the directional valve, the other filter begins to work; the clogged element should be changed in time.

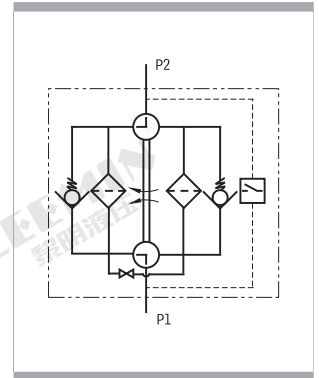
This filter is widely used in heavy machinery, mining machinery, metallurgical machinery and other hydraulic system for continuous work hydraulic systems.





(二) 型号说明 MODEL CODE

大流量双筒管路过滤器 Duplex Large Flow Rate Line Filter Series	DDRLF · □ - □ - DN □ - □ × □ □	E: 电子模拟发讯器 Electronic analog indicator P: 带CMS型发讯器 With CMS indicator M: 带CMS-III型目测发讯器 With CMS-III indicator 省略: 不带发讯器 Omit if without indicator
BH: 介质为水-乙二醇 Water-glycol 省略: 介质为一般液压油 Omit if use hydraulic oil		过滤精度: Filtration accuracy (μm)
公称压力: Pressure class A: 1.6MPa C: 6.3MPa		公称流量: Flow rate (L/min)
		直径: 参考技术参数表格 Diameter: Refer to the technical parameter table



注: 用户订购过滤器需配【电子模拟发讯器】时, 请与我公司技术部联系。

(三) 技术参数 TECHNICAL DATA

1. 1.6MPa 双筒管路过滤器

型号 Model	通径 Dia. (mm)	公称流量 Flow rate (L/min)	过滤精度 Filtr. (μm)	公称压力 Press. (MPa)	旁通阀开启压力 By-pass setting (MPa)	发讯装置功率 Indicator power	滤芯型号 Model of element	滤芯数量 Quantities of elements
DDRLF-A-DN* -1300 × *P	65、80 100	1300	3	1.6	0.4	24V/48W 220V/50W	SFX-1300 × *BN3HC	1 × 2
DDRLF-A-DN* -2600 × *P	65、80 100、125	2600					SFX-2600 × *BN3HC	1 × 2
DDRLF-A-DN* -2500 × *P	80 100 125 150	2500	5				SFX-850 × *BN3HC	3 × 2
DDRLF-A-DN* -5000 × *P		5000	10				SFX-1700 × *BN3HC	3 × 2
DDRLF-A-DN* -4000 × *P		4000	20				SFX-850 × *BN3HC	5 × 2
DDRLF-A-DN* -8000 × *P		8000	30				SFX-1700 × *BN3HC	5 × 2
DDRLF-A-DN* -5200 × *P		5200	SFX-1300 × *BN3HC				4 × 2	
DDRLF-A-DN* -10400 × *P		10400	SFX-2600 × *BN3HC				4 × 2	

2. 6.3MPa 双筒管路过滤器

型号 Model	通径 Dia. (mm)	公称流量 Flow rate (L/min)	过滤精度 Filtr. (μm)	公称压力 Press. (MPa)	旁通阀开启压力 By-pass setting (MPa)	发讯装置功率 Indicator power	滤芯型号 Model of element	滤芯数量 Quantities of elements
DDRLF-C-DN50-660 × *P	50	660	3	6.3	0.6	24V/48W 220V/50W	SFX-660 × *BN3HC-B6	1 × 2
DDRLF-C-DN50-850 × *P		850	5				SFX-850 × *BN3HC-B6	
DDRLF-C-DN50-1700 × *P	1700	10	SFX-1700 × *BN3HC-B6					
DDRLF-C-DN80-950 × *P	80	950	20				SFX-950 × *BN3HC-B6	
DDRLF-C-DN80-1300 × *P		1300	30				SFX-1300 × *BN3HC-B6	
DDRLF-C-DN80-2600 × *P		2600	SFX-2600 × *BN3HC-B6					

注: 1. DN后面*为通径, 其余*为过滤精度。若使用介质为水-乙二醇, 最高使用压力1.6MPa, 通径为80mm, 公称流量为2600, 过滤精度10 μm 带CMS型发讯器。则过滤器型号为DDRLF · BH-A-DN80-2600X10P, 滤芯型号为SFX · BH-2600X10BN3HC

2. 推荐按通径选型, 介质流速不高于2.5m/s

3. 小通径配大规格滤芯的过滤器适合长寿命、污染严重的场合

Note: 1. Behind the DN * means for diameter, others * for filtration accuracy. If working medium is water - ethylene glycol, the highest working pressure 1.6 MPa, the diameter is 80 mm, nominal flow rate of 2600, filtration accuracy 10 micron, equip with CMS indicator. Filter type model is DDRLF · BH - A - DN80-2600 X 10P, filter element model is SFX · BH - 2600 x 10BN3HC

2. Recommended according to the diameter for selection, the medium flow rate is not higher than 2.5 m/s

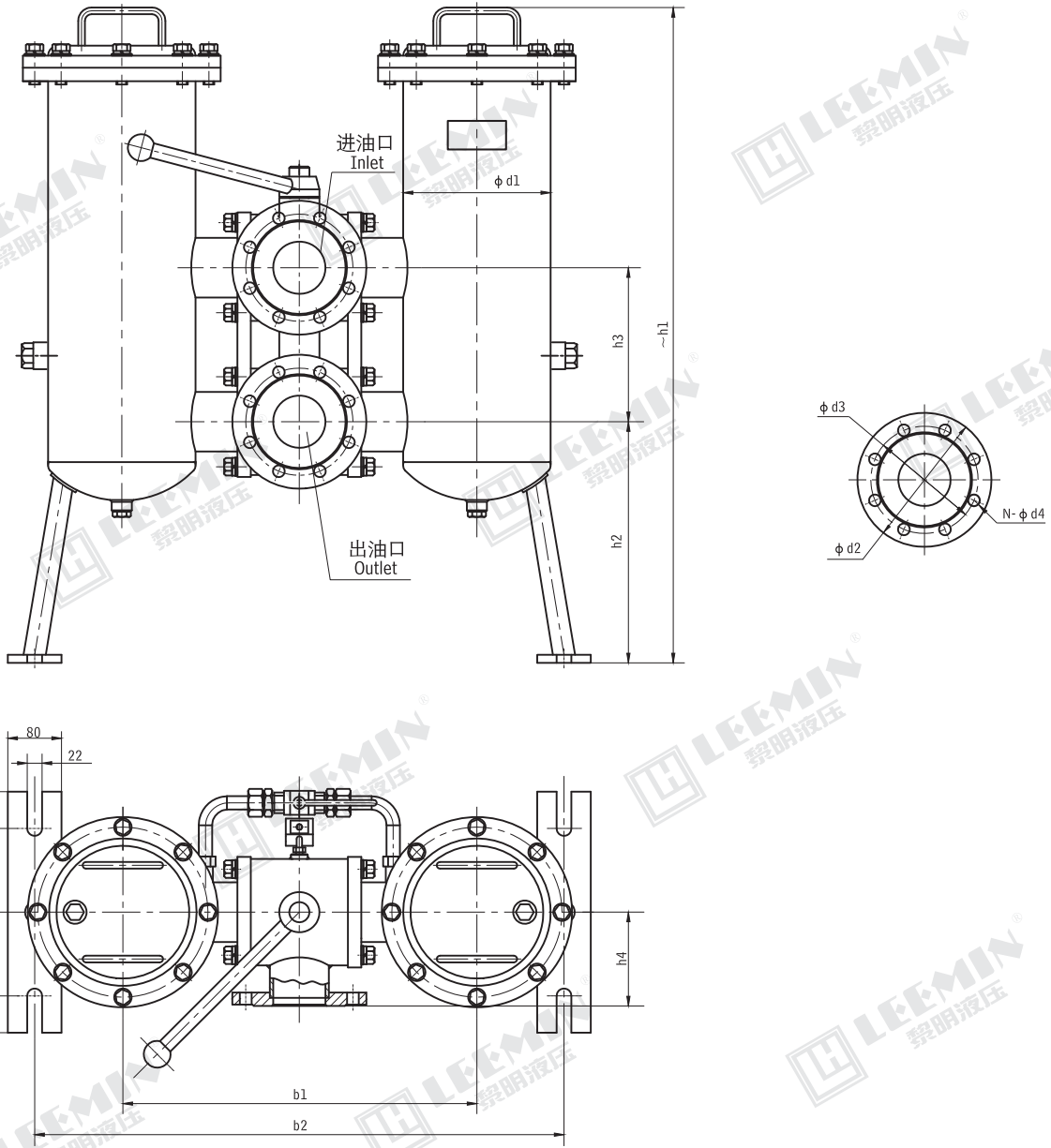
3. The smaller diameter filter equip with large size cartridge filter is suitable for the occasion of long life and severe pollution



LEEMIN
黎明液压

(四)安装外形尺寸: MOUNTING SIZE

DDRLF-A1300/2600系列



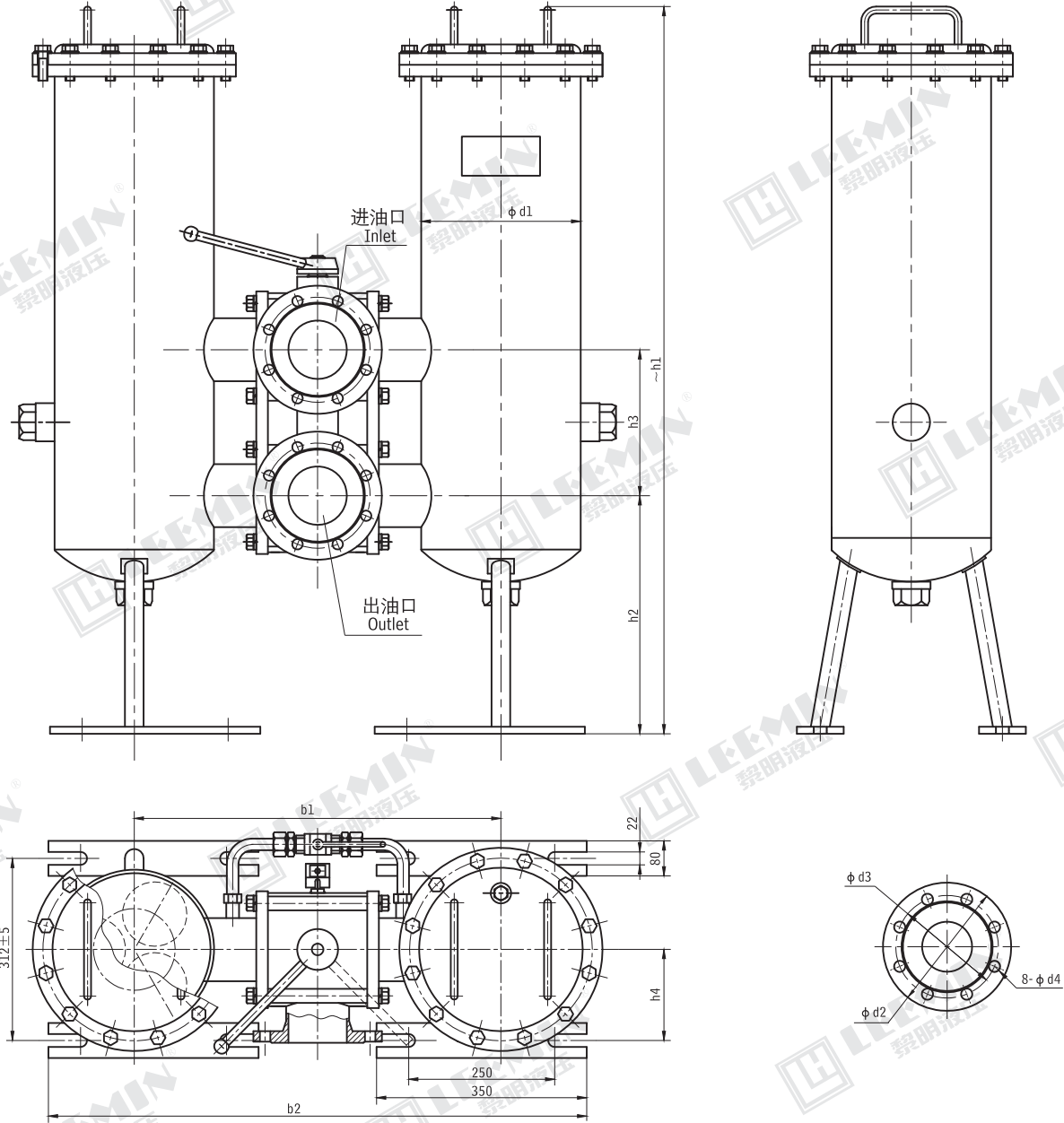
单位 Unit:mm

型号 Model	DN	b1±5	b2±5	d1	d2	d3	N-d4	h1	h2	h3	h4
DDRLF-A-DN65-1300 × *P	65	516	766	219	185	145	4-φ17.5	1030	328	230	125
DDRLF-A-DN65-2600 × *P					200	160		1470			
DDRLF-A-DN80-1300 × *P	80	530	790		220	180	8-φ17.5	1065	360	230	140
DDRLF-A-DN80-2600 × *P					250	210		1505			
DDRLF-A-DN100-1300 × *P	100	588	846		1100	366		250	160		
DDRLF-A-DN100-2600 × *P					1540						
DDRLF-A-DN125-2600 × *P	125	603	863	1545	385	300	188				



LEEMIN
黎明液压

DDRLF-A2500/5000系列



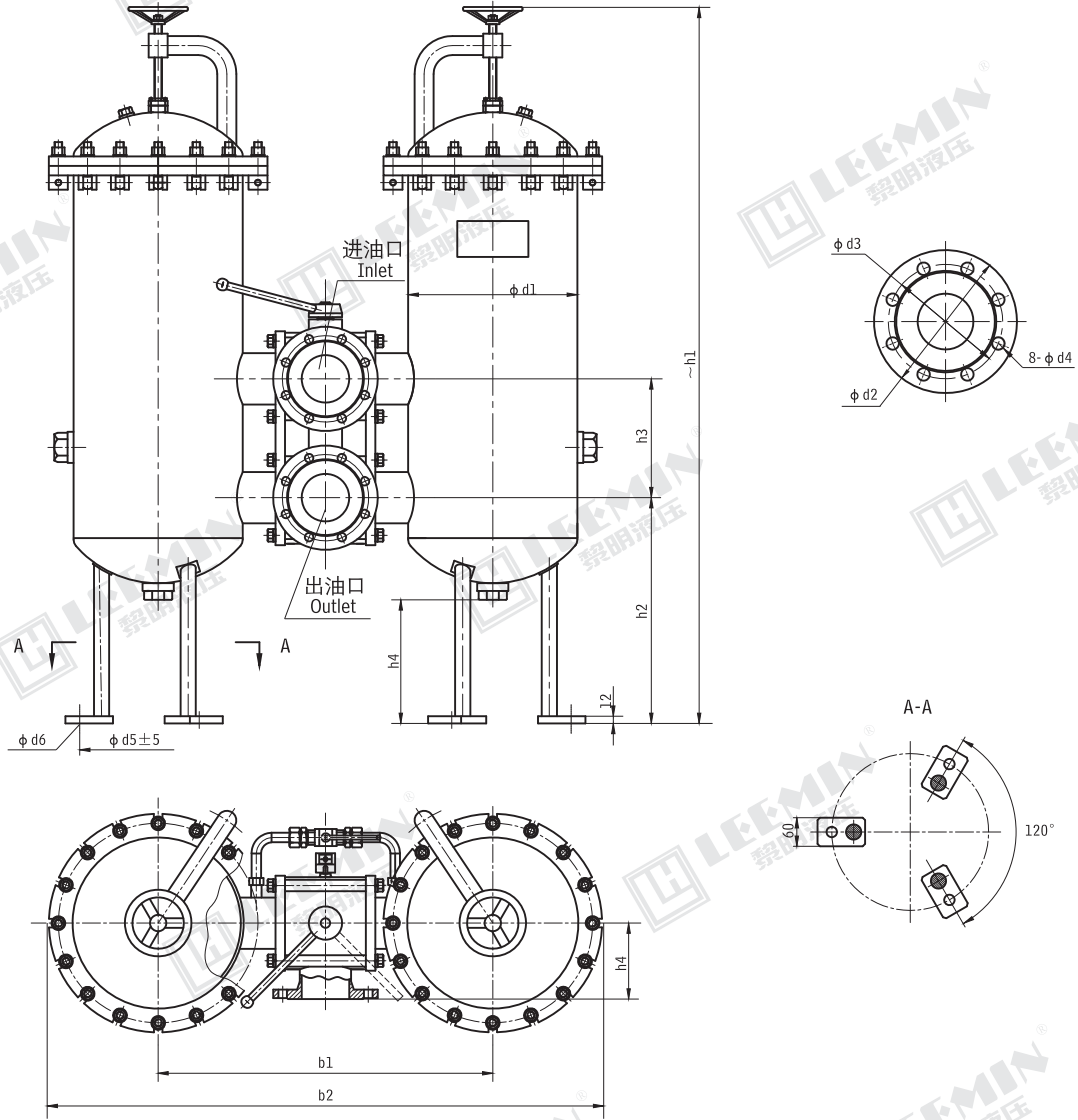
单位 Unit:mm

型号 Model	DN	b1±5	b2±5	d1	d2	d3	d4	h1	h2	h3	h4
DDRLF-A-DN80-2500 × *P	80	634	922	299	200	160	17.5	1018	408	230	140
DDRLF-A-DN80-5000 × *P								1408			
DDRLF-A-DN100-2500 × *P	100	650	938		220	180		1018	408	250	158
DDRLF-A-DN100-5000 × *P								1408			
DDRLF-A-DN125-2500 × *P	125	650	938		250	210		1078	438	300	188
DDRLF-A-DN125-5000 × *P								1468			
DDRLF-A-DN150-2500 × *P	150	700	991	285	240	22	1078	438	300	200	
DDRLF-A-DN150-5000 × *P							1468				



LEEMIN
黎明液压

DDRLF-A4000/8000 A5200/10400系列



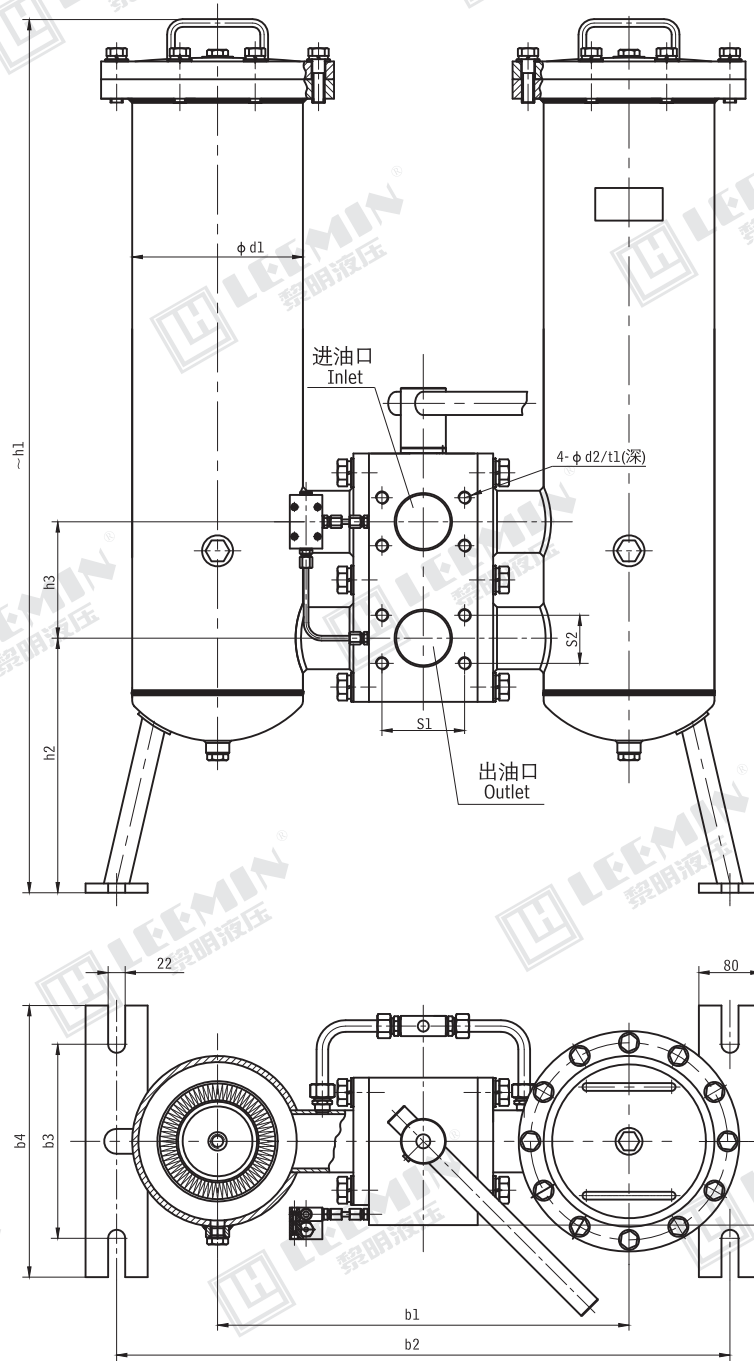
单位 Unit:mm

型号 Model	DN	b1±5	b2±5	d1	d2	d3	d4	d5	d6	h1	h2	h3	h4	
DDRLF-A-DN80-4000 × *P	80	688	1148	356	200	160	17.5	330	22	1340	475	230	140	
DDRLF-A-DN80-8000 × *P										1730				
DDRLF-A-DN100-4000 × *P	100	704	1164		220	180				22	1340	475	250	158
DDRLF-A-DN100-8000 × *P											1730			
DDRLF-A-DN125-4000 × *P	125	723	1183		250	210	22	380		1430	525	300	188	
DDRLF-A-DN125-8000 × *P										1820				
DDRLF-A-DN150-4000 × *P	150	775	1235		285	240				17.5	1430	465	230	140
DDRLF-A-DN150-8000 × *P											1820			
DDRLF-A-DN80-5200 × *P	80	728	1228	412	200	160		17.5	380	1466	465	250	158	
DDRLF-A-DN80-10400 × *P										1906				
DDRLF-A-DN100-5200 × *P	100	744	1244		220	180				22	1466	465	250	188
DDRLF-A-DN100-10400 × *P											1906			
DDRLF-A-DN125-5200 × *P	125	763	1263		250	210	22	1576	525	300	188			
DDRLF-A-DN125-10400 × *P								2016						
DDRLF-A-DN150-5200 × *P	150	815	1315		285	240	22	1576	525	300	200			
DDRLF-A-DN150-10400 × *P								2016						



LEEMIN
黎明液压

DDRLF-C系列



单位 Unit:mm

型号 Model	DN	b1±5	b2±5	b3	b4	d1	d2	t1	S1	S2	h1	h2	h3	h4
DDRLF-C-DN50-660×*P	50	455	664	220	320	168	M12	20	77.8	42.9	882	328	110	85
DDRLF-C-DN50-850×*P											964			
DDRLF-C-DN50-1700×*P											1345			
DDRLF-C-DN80-950×*P	80	530	790	250	350	219	M16	24	106.4	61.9	966	328	150	108
DDRLF-C-DN80-1300×*P											1086			
DDRLF-C-DN80-2600×*P											1526			