



AJ系列蓄能器控制阀

AJ COMBINATION VALVE FOR ACCUMULATOR CONTROL

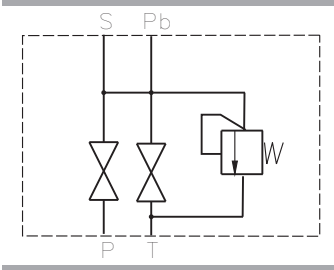
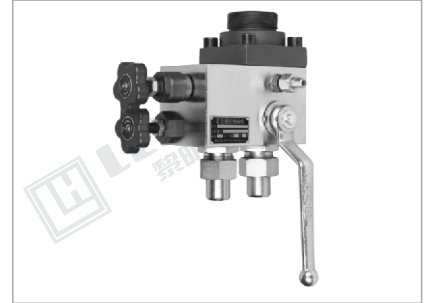
(一) 简介 INTRODUCTION

蓄能器控制阀组，装接于蓄能器和液压系统之间，用于控制蓄能器液压油通断、溢流、泄压、工况的组合阀件。

AJ型蓄能器控制阀组具有操作方便，性能可靠，结构紧凑等优点。本产品的阀体均采用优质钢材锻件，表面进行化学镀镍处理。

AJ型蓄能器控制阀组有球阀、安全阀和卸荷阀等组成。其中：安全阀有螺纹插装式溢流阀、卸荷阀有手动控制（手动控制为螺纹针型阀）。

The combination valve for accumulator control is installed between the accumulator and the hydraulic system and controls the on/off, overflow, pressure relief and working condition of the hydraulic oil.



The AJ combination valve for accumulator control is characterized by convenient operation, reliable performance and compact design. The valve body is made of premium steel castings and is subjected to nickel plating process.

The AJ combination valve for accumulator control is made up of ball valve, safety valve and relief valve. The safety valve may be a threaded insertion type overflow valve, and the relief valve may be manual operated (threaded needle type).

(二) 型号说明 MODEL CODE

AJ S - / -

蓄能器控制阀组 combination valve for accumulator control

T油口相对P油口位置 无：同侧
Location of T port to P port "1" means not on the same side.
If they're on the same side no need to indicate.

S: 手动卸荷S: Manual-operated pressure relief
DB: 通电卸荷 (装型电磁球阀) Power on pressure relief (equipped with K-type electromagnetic valve)
DK: 断电卸荷 (装型电磁球阀) Power off pressure relief (equipped with B-type electromagnetic valve)

公称通径 Nominal Diameter (mm)

安全阀最大调节压力：省略表示不带安全阀
Max. adjusting pressure of the combination valve None: Without combination valve
a: 6.3MPa b: 16MPa c: 25MPa H: 31.5MPa

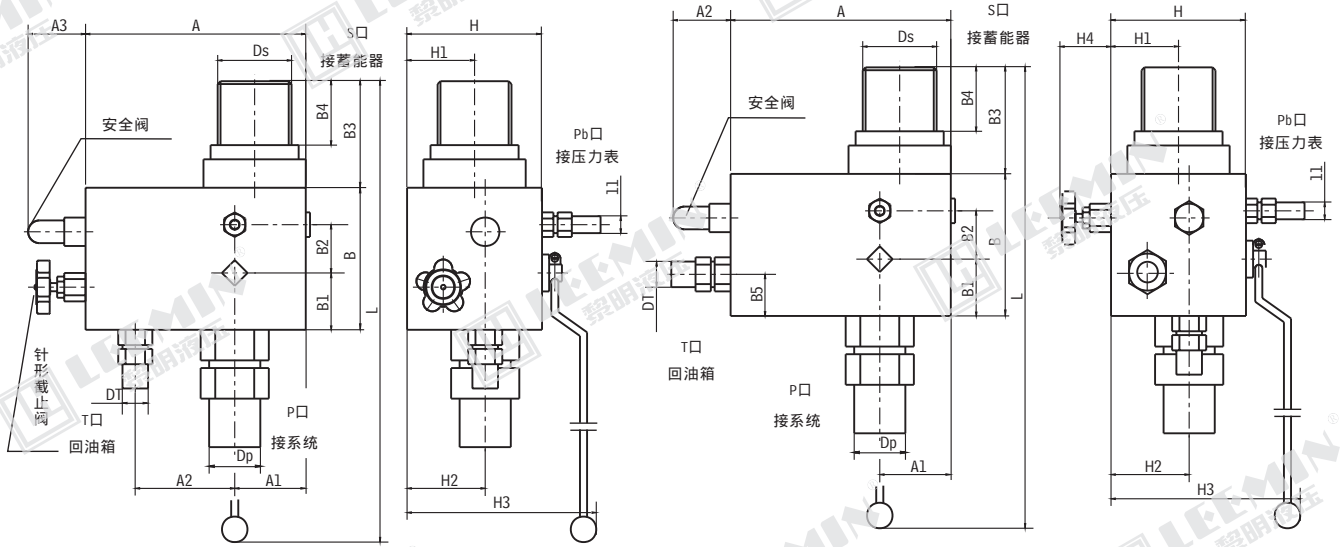
E24: 电控卸荷式电压直流24V
E24 :Unloading voltage controlled by electricity DC 24V
B220 :电控卸荷式电压交流本整220V
B220:Unloading voltage controlled by electricity 220VAC of the whole
S口(蓄能器)接头螺纹
Thread diameter of S shape port connector (accumulator)
M27X2 or M42X2(DN10) M42X2 or M60X2(DN20)
M60X2 or M72X2(DN32)
Z: 螺纹插装式直动形溢流阀
Z: threaded inserting straight through overflow valve
C: 二通插装式溢流阀
C: two way inserting overflow valve
省略不带安全阀
None: Without combination valve

(三) 外形尺寸 MOUNTING SIZE

Dn	A	B	H	L	A1	A2	A3	B1	B2	B3	B4	H1	H2	H3	DS	Dp	Dt
10	90	85	50	236	25	45	68	21	39	43	16/23	25	27.5	85	M27X2/M42X2	18	16
20	145	90	90	333	59	30		40	63	23	45	57.5	149	M42X2/M60X2	28	28	
32	155	100	90/95	340	72	38		47	75	30	45/47.5	52/54.5	154/159	M60X2/M72X2	42		



LEEMIN
黎明液压



(1) AJS-*/*/手动卸荷式 (T口与P口同侧) DN10-32

(2) AJS-*/*/手动卸荷式 (T口与P口异侧) DN10-32

Dn	A	B	H	L	A1	A2	B1	B2	B3	B4	B5	H1	H2	H3	H4	DS	Dp	D _T
10	90	85	50	236	25	68	21	39	43	16/23	20	25	27.5	85	40	M27X2/M42X2	18	16
20	145	90	90	333	30		40	63	23	45		57.5	149	43	M42X2/M60X2	28	28	
32	155	100	90/95	340	38		47	75	30	25		45/47.5	52/54.5	154/159	50	M60X2/M72X2		42