



## BR 系列双向可逆过滤器

### BR DIRECTIONAL-FOLW FILTER SERIES

#### (一) 简介

该过滤器可安装在液流方向频繁切换的元件前，用以进一步清除或阻挡由于外界带入元件工作时磨损以及介质本身化学作用所产生的杂质，并解决了一般过滤器油液只能单向方向流动并过滤的问题，简化了系统的管路，节省空间，使系统布置更为紧凑。

该过滤器采用进口玻璃纤维滤材，具有过滤精度高，通油能力强，纳污量大等优点。过滤精度以绝对过滤精度标定，其过滤比 $\beta_{3, 5, 10, 20} \geq 200$ 过滤效率 $\eta \geq 99.5\%$ 。符合ISO标准。

该过滤器设有压差发讯装置，当滤芯污染堵塞至进出口压差值为发讯器调定压力时，发讯器发讯，此时必须更换滤芯。

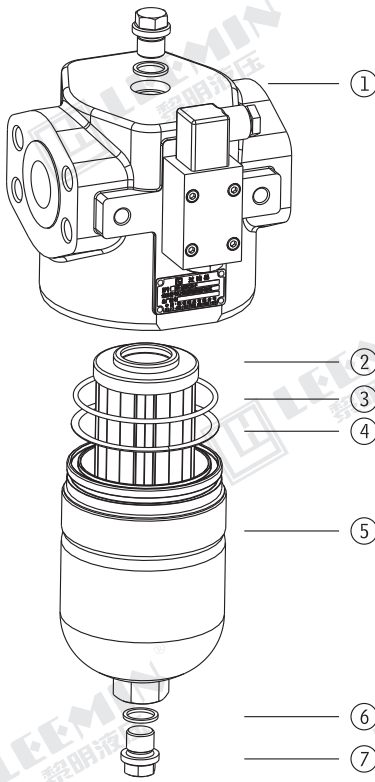
#### INTRODUCTION

The fluid of the filter has a changing flow directions. It solve the problem that the oil can only be filter by filters with single flow direction.

The filter element is made of glass fiber, so it has high filtration accuracy, low initial pressure loss, high dirt-holding capacity and so on. Filter ratio  $\beta_{3, 5, 10, 20} \geq 200$ , filter efficiency  $\eta \geq 99.5\%$ , and fit the ISO standard.

It has contamination indicator. When the filter element is blocked by contamination and the pressure reaches to setting up pressure, the indicator will give signals showing the element should be changed.

专利号：ZL 2006 2 0077879.0



序号 Number	名称 Name	说明 Note
1	滤头组件 Filter head components	
2	滤芯 Element	易损件 Wearing Parts
3	O形密封圈 O-ring	易损件 Wearing Parts
4	O形密封圈 O-ring	易损件 Wearing Parts
5	壳体 Housing	
6	密封垫 Seal	易损件 Wearing Parts
7	螺塞 Screw	

#### (二) 型号说明 MODEL CODE

BR · □ - □ × □ □

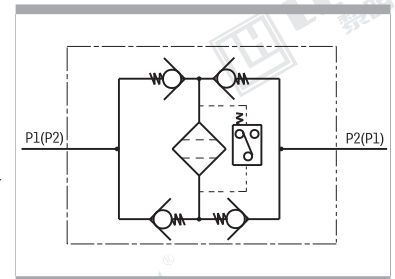
双向可逆过滤器  
Directional-folw filter series

BH: 介质为水—乙二醇 Water-glycol  
省略: 介质为一般液压油  
Omit if use hydraulic oil

公称流量 Flow rate (L/min)

P:带CMS-I型压差发讯器 With CMS-I indicator  
省略: 不带发讯器 Omit if without indicator

过滤精度 Filtration accuracy ( $\mu m$ )





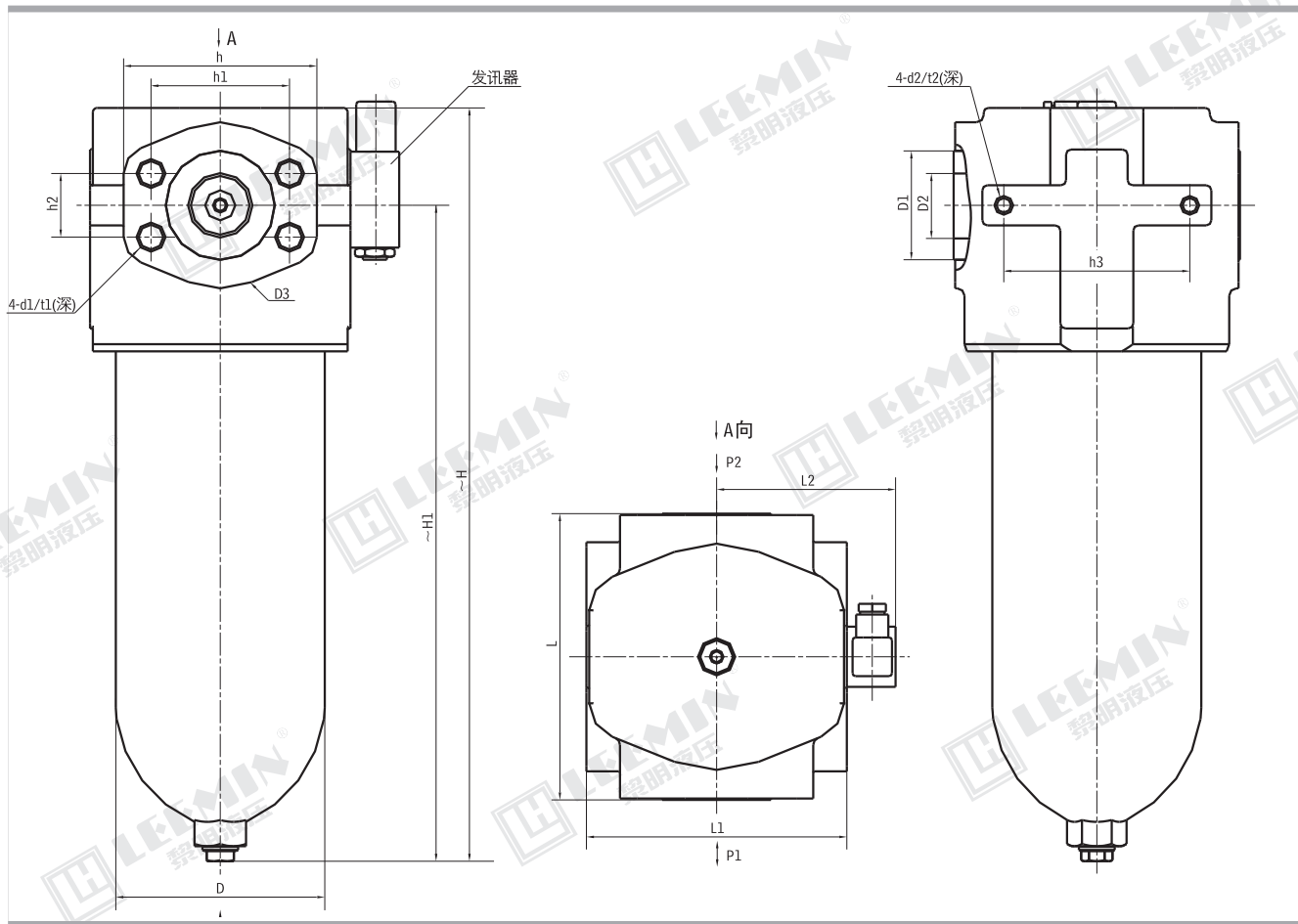
(三) 技术参数 TECHNICAL DATA

型号 Model	通径 Dia. (mm)	公称流量 Flow rate (L/min)	过滤精度 Filtr. ( $\mu$ m)	公称压力 Press. (MPa)	滤芯压力损失 Pressure loss (MPa)		发讯器功率 Indicator power (V/W)	滤芯型号 Model of element
					Initial	Max.		
BR-160 × *	31.5	160	3	42	$\leq 0.1$	0.5	24V/48W 220V/50W	LH0160D*BH3HC
BR-240 × *		240						LH0240D*BH3HC
BR-330 × *	45	330	10					LH0330D*BH3HC
BR-500 × *		500	20					LH0500D*BH3HC
BR-660 × *		660	LH0660D*BH3HC					

注：\*为过滤精度。若使用介质为水—乙二醇，公称流量160L/min，过滤精度10 $\mu$ m，带CMS-I型压差发讯器，则过滤器型号为BR·BH-160 $\times$ 10P，滤芯型号为LH0160D010BH3HC.BH。

Note: \* is filtration accuracy. If the filter fluid is water-glycol, flow rate 160L/min, filtration accuracy 10 $\mu$ m and with CMS-I indicator. The model of the filter is BR·BH-160 $\times$ 10P, the model of element is LH0160D010BH3HC.BH.

(四) 安装外形尺寸 MOUNTING SIZE



型号 Model	尺寸 Size(mm)														
	~H	~H1	h	h1	h2	h3	L	L1	L2	D	D1	D2	D3	d1/t1	d2/t2
BR-160 × *	280	223	113	79.5	36.5	100	156	137	102.5	$\phi$ 108	$\phi$ 58	$\phi$ 31.5	$\phi$ 98	M16/24	2-M12/20
BR-240 × *	334	277													
BR-330 × *	359	291	135	96.8	44.4	130	200	182	125	$\phi$ 146	$\phi$ 76	$\phi$ 45	$\phi$ 116	M20/30	
BR-500 × *	452	384													
BR-660 × *	526	458													