



## DF系列叠加式过滤器

### DF PRESSURE FILTER FOR SANDWICH STACKING SERIES

#### (一) 简介

该叠加式过滤器可直接安装在电磁换向阀下，用于清除或阻止液压油中混入的机械杂质和液压油本身化学变化所产生的胶质、沥青质等进入电磁换向阀，从而防止阀芯反应动慢，不稳定或卡死，以及阀过快磨损等故障的发生，维护系统的正常运作，特别适用于自动控制系统和伺服系统。

该过滤器设有压差发讯器，当滤芯被污染堵塞到进出口压差为0.5MPa时，即发出开关信号，此时应清洗或更换滤芯，此达到保证系统安装的目的。

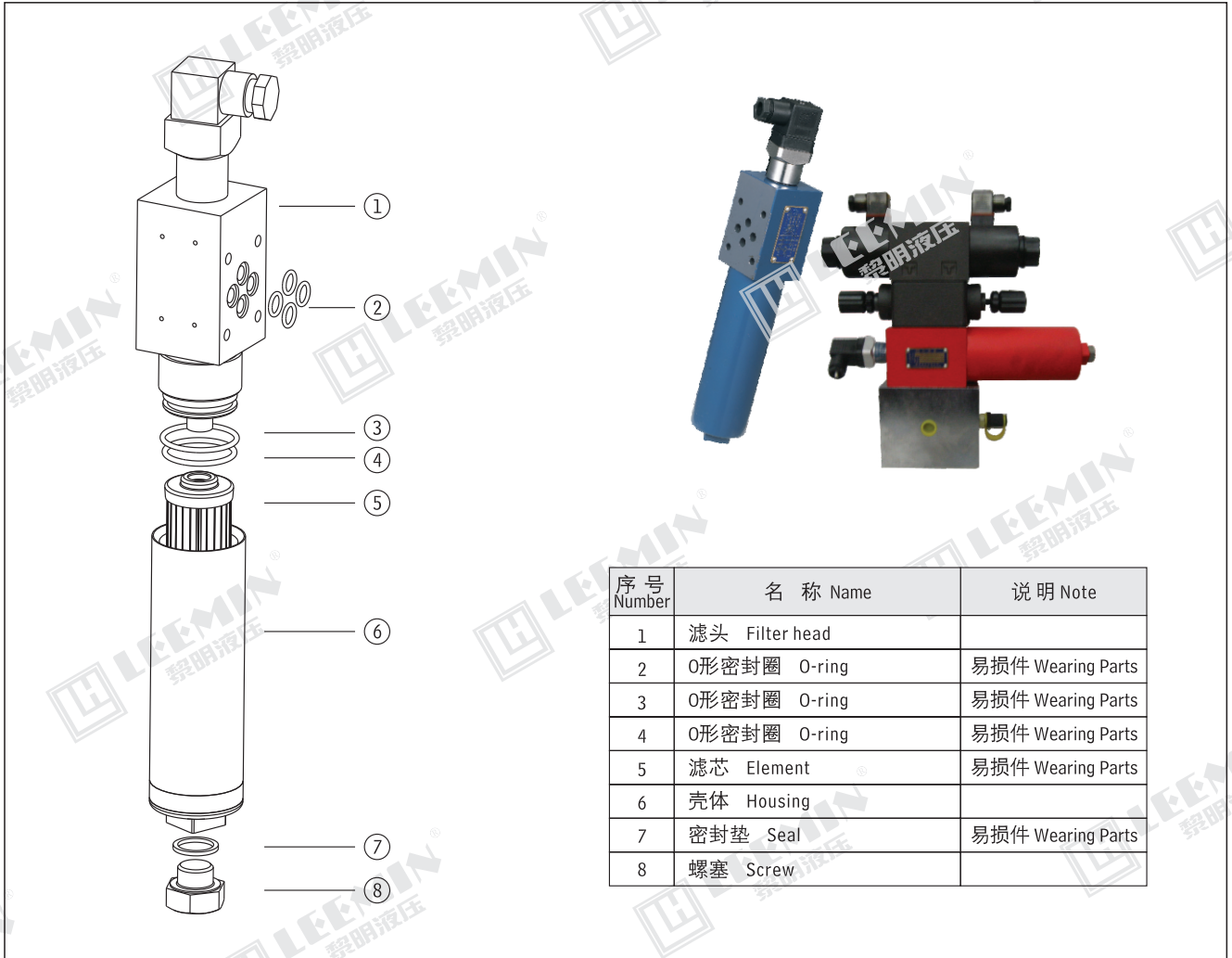
该过滤器与传统过滤器相比具有安装结构紧凑，体积小特点，且滤芯采用进口玻璃纤维滤材，具有过滤精度高，通油能力强，原始压力小，纳污量大等优点。过滤精度以绝对过滤精度标定，其过滤比  $\beta_{3,5,10,20} \geq 200$  过滤效率  $n \geq 99.5\%$ 。符合ISO标准。

#### INTRODUCTION

This kind of filter can be installed directly under electric magnetic directional valve in order to filter contamination. It is especially used in automatic and servo system.

It has contamination indicator. When the filter element is blocked by contamination and the pressure reaches to 0.5Mpa, the indicator will give signals showing the element should be changed.

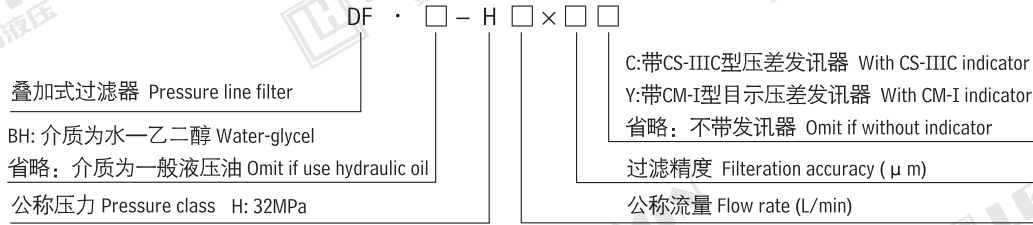
This kind of filter is made of glass fiber. Compare to other filters, the filter is designed into small size and it has high filtration accuracy, low initial pressure, and high dirt-holding capacity. Filter ratio  $\beta_{3,5,10,20} \geq 200$ , filter efficiency  $n \geq 99.5\%$ , and fit the ISO standard.



序号 Number	名称 Name	说明 Note
1	滤头 Filter head	
2	O形密封圈 O-ring	易损件 Wearing Parts
3	O形密封圈 O-ring	易损件 Wearing Parts
4	O形密封圈 O-ring	易损件 Wearing Parts
5	滤芯 Element	易损件 Wearing Parts
6	壳体 Housing	
7	密封垫 Seal	易损件 Wearing Parts
8	螺塞 Screw	



### (二) 型号说明 MODEL CODE



注: \*为过滤精度, 若使用介质为水—乙二醇, 使用压力32MPa, 公称流量60L/min, 过滤精度 $10\mu\text{m}$ , 带CS-IIIC型发讯器。则过滤器型号为DF · BH-H60 × 10C。

Note: \*is filtration accuracy. If the filter fluid is water-glycol, usage pressure 32MPa, flow rate 60L/min, filtration accuracy is  $10\mu\text{m}$ , and With CS-III indicator. The model of the filter is DF · BH-H60 × 10C.

### (三) 技术参数 TECHNICAL DATA

型号 Model	通径 Dia.(mm)	公称流量 Flow(L/min)	过滤精度 Filtr( $\mu\text{m}$ )	公称压力 (MPa)	滤芯压力损失 Element pressure loss(MPa)		发讯器功率 (V/W)	滤芯型号 Model of element
					Initial	Max.		
DF-H30 × * $\overset{C}{Y}$	6	30	3	32	≤0.1	0.5	24/48	LH0030D*BH3HC
DF-H60 × * $\overset{C}{Y}$	10	60	5					LH0060D*BH3HC
DF-H110 × * $\overset{C}{Y}$		110	10					LH0110D*BH3HC
			20				220/50	

### (四) 安装外形尺寸 MOUNTING SIZE

