



## ISV系列管路吸油过滤器 ISV SUCTION LINE FILTER SERIES

### (一) 简介

ISV 系列管路吸油过滤器系由铝合金外壳、滤芯、旁通阀及目测发讯器和电发讯器构成的轻质而坚固的带外壳吸油过滤器，应竖直安装在油箱外的管路上，不影响管路的布置，油箱的尺寸不受过滤器的限制。该系列过滤器具有以下特点：(a)带目测发讯器：当滤芯被污染物逐渐堵塞时，目测发讯器观察窗内的红色信号环慢慢上升，当红色信号环上升到最高位置时(观察窗内完全红色)，指示滤芯已被污染物堵塞到需清洗或更换的程度了。清洗或更换滤芯后，按复位按钮，使红色信号环下滑；(b)带电发讯器：当滤芯被污染物堵塞到出口口的真空度为-0.018MPa时，发讯器内的微动开关动作，发出开关信号，指示应清洗或更换滤芯，若此时又不能马上停机或无人来更换滤芯，设在过滤器盖内的旁通阀会自动开启(开启压力为：真空度-0.02MPa)；(c)带旁通阀：当滤芯被污染堵塞到出口口压力(真空度-0.02MPa)时，旁通阀会自动开启，以避免油泵出现吸空等故障。

### INTRODUCTION

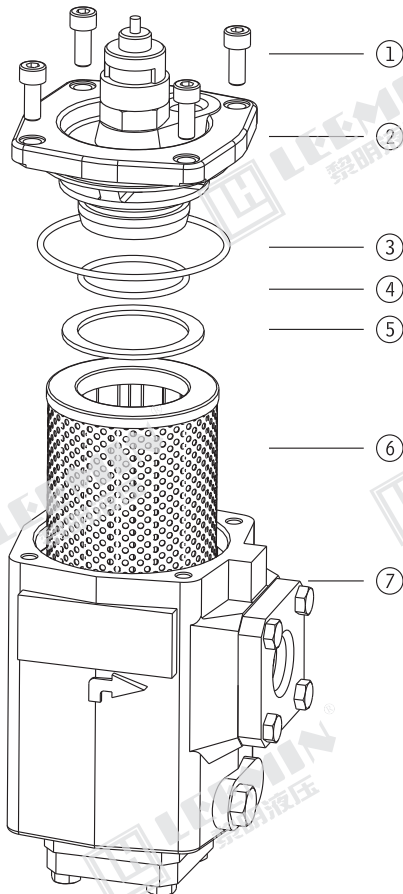
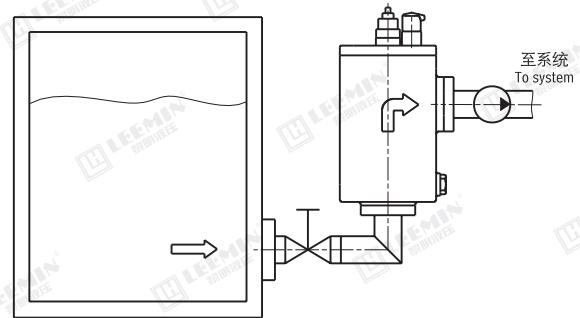
The ISV series line suction filter is composed of hose, element, by-pass valve and visual indicator and electrical indicator. It is light in weight and strong. It can be installed vertically in the pipe line out of the tank and won't affect the arrangement of the pipe line. The tank size is not limited by filter. This series filter

has features as follows:

a). Visual indicator: when filter element is clogged by contaminants, the red signal of visual indicator will rise slowly; the element should be changed or cleaned when the red signal rises to the top-position. Push the restorer to allow the red signal ring downfall after changing or cleaning element.

B).Electrical indicator: when filter element is clogged by contaminants, and the vacuum pressure reaches -0.018Mpa in filter outlet, the electrical indicator will act and indicate that the element should be changed or cleaned in that time.

c).By-pass valve: when the vacuum pressure reaches -0.02MPa, the by-pass valve will auto matically open to protect the pump safety.

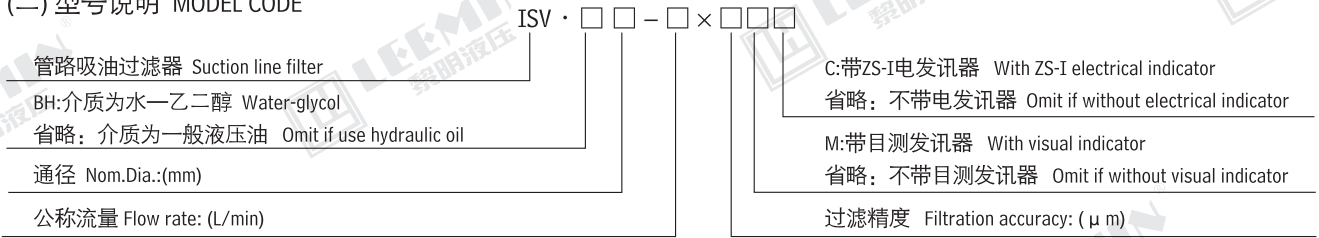


序号 Number	名称 Name	说明 Note
1	螺钉 Bolt	
2	滤盖 Cap	
3	O形密封圈 O-ring	易损件 Wearing Parts
4	O形密封圈 O-ring	易损件 Wearing Parts
5	弹性垫圈 Spring gasket	
6	滤芯 Element	易损件 Wearing Parts
7	壳体 Housing	



**LEEMIN**  
黎明液压

(二) 型号说明 MODEL CODE



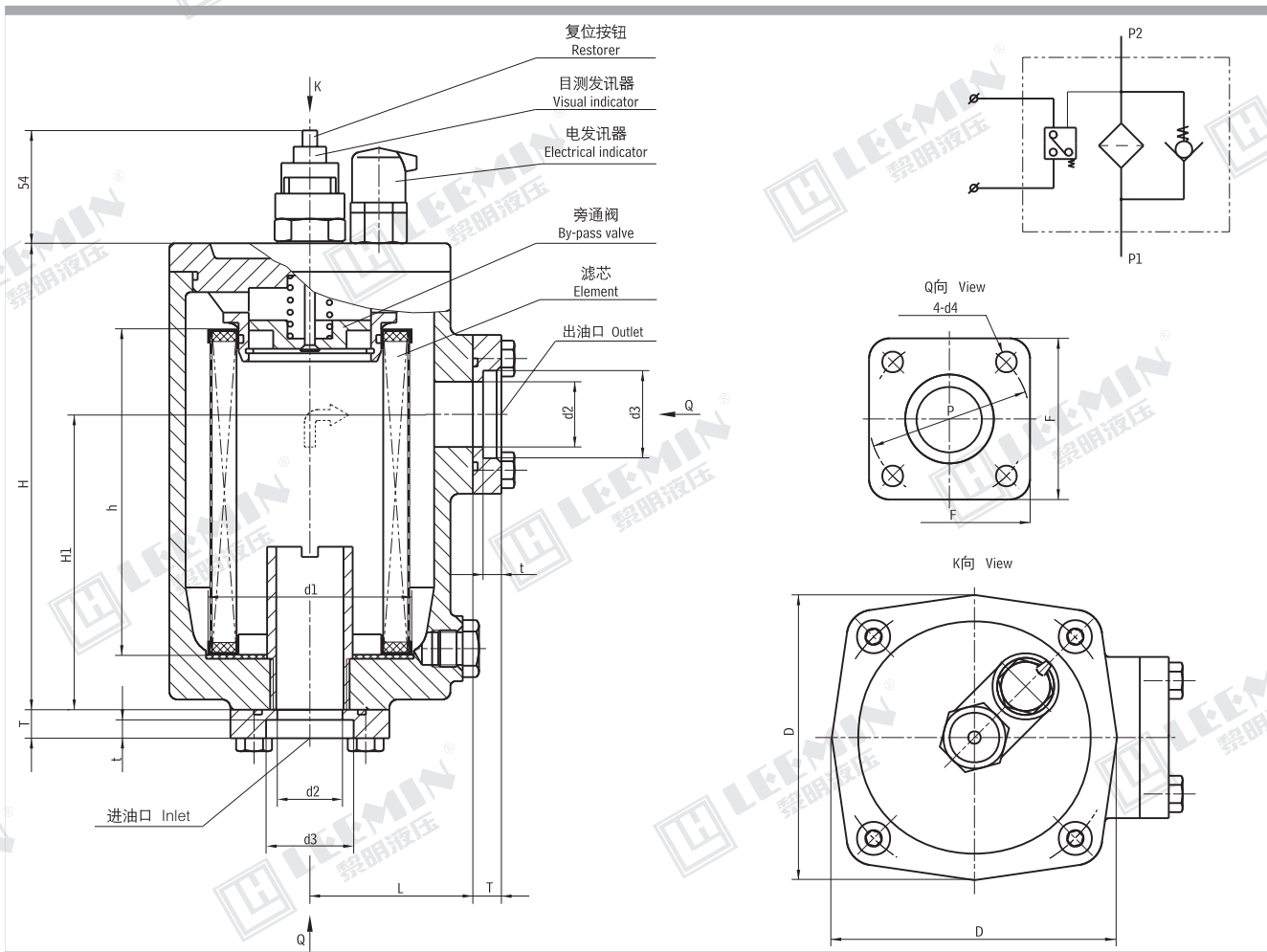
(三) 技术参数 TECHNICAL DATA

型号 Model	公称流量 Flow rate (L/min)	过滤精度 Filtr. (μm)	通径 Dia. (mm)	原始压力损失 Initial ΔP (MPa)	发讯装置 Indicator		重量 Weight (Kg)	滤芯型号 Model of element
					(V)	(A)		
ISV20 - 40 × *	40	80	20	≤0.01	12	2.5	5	IX - 40 × *
ISV25 - 63 × *	63		25					IX - 63 × *
ISV32 - 100 × *	100		32					IX - 100 × *
ISV40 - 160 × *	160	100	40		24	2	6	IX - 160 × *
ISV50 - 250 × *	250		50					IX - 250 × *
ISV65 - 400 × *	400		65					IX - 400 × *
ISV80 - 630 × *	630	180	80		36	1.5	11	IX - 630 × *
ISV90 - 800 × *	800		90					IX - 800 × *
ISV100 - 1000 × *	1000		100					IX - 1000 × *

注: \* 为过滤精度, 若使用介质为水-乙二醇, 公称流量160L/min, 过滤精度80 μm, 带ZS-I型发讯器, 则过滤器型号为ISV · BH40-160 × 80 C, 滤芯型号为IX · BH-160 × 80。

Note: \* is filtration accuracy, If the medium is water-glycol, flow rate is 160L/min, filtration accuracy is 80 μm, with ZS-I indicator, the model of this filter is ISV · BH40-160 × 80C, the model of element is IX · BH-160 × 80.

(四) 安装外形尺寸 MOUNTING SIZE





**LEEMIN**  
黎明液压

单位Unit:mm

型号 Model	H	H1	L	h	d1	d2	d3	d4	P	F	D	T	t
ISV20 - 40 × *	167	100	67	110	φ 85	φ 20	φ 27.5	φ 9	φ 70	68	112	12	8
ISV25 - 63 × *						φ 25	φ 34.5						
ISV32 - 100 × *	229	145	80	160	φ 100	φ 32	φ 43	φ 11	φ 78	78	138	14	9
ISV40 - 160 × *						φ 40	φ 49						
ISV50 - 250 × *	259	170	90	180	φ 120	φ 50	φ 61	φ 14	φ 102	96	156	20	14
ISV65 - 400 × *	284		105	200	φ 140	φ 65	φ 77		φ 130	122	180		
ISV80 - 630 × *			φ 80	φ 90									
ISV90 - 800 × *	352	240	135	260	φ 180	φ 90	φ 103	φ 18	φ 166	156	230	22	15
ISV100 - 1000 × *						φ 100	φ 115						

注：进出口法兰由我公司提供，用户需准备外径d3尺寸的管子焊上即可。

Note: The inlet and outlet flanges, for this series will be supplied by our plant; the customer only need welding steel tube d3.