



TFB系列吸油过滤器 TFB SUCTION FILTER SERIES

(一) 简介

本过滤器用于液压系统高精度吸油过滤，在吸油前滤除金属颗粒及密封件的橡胶杂质等污染物，延长油泵的使用寿命。

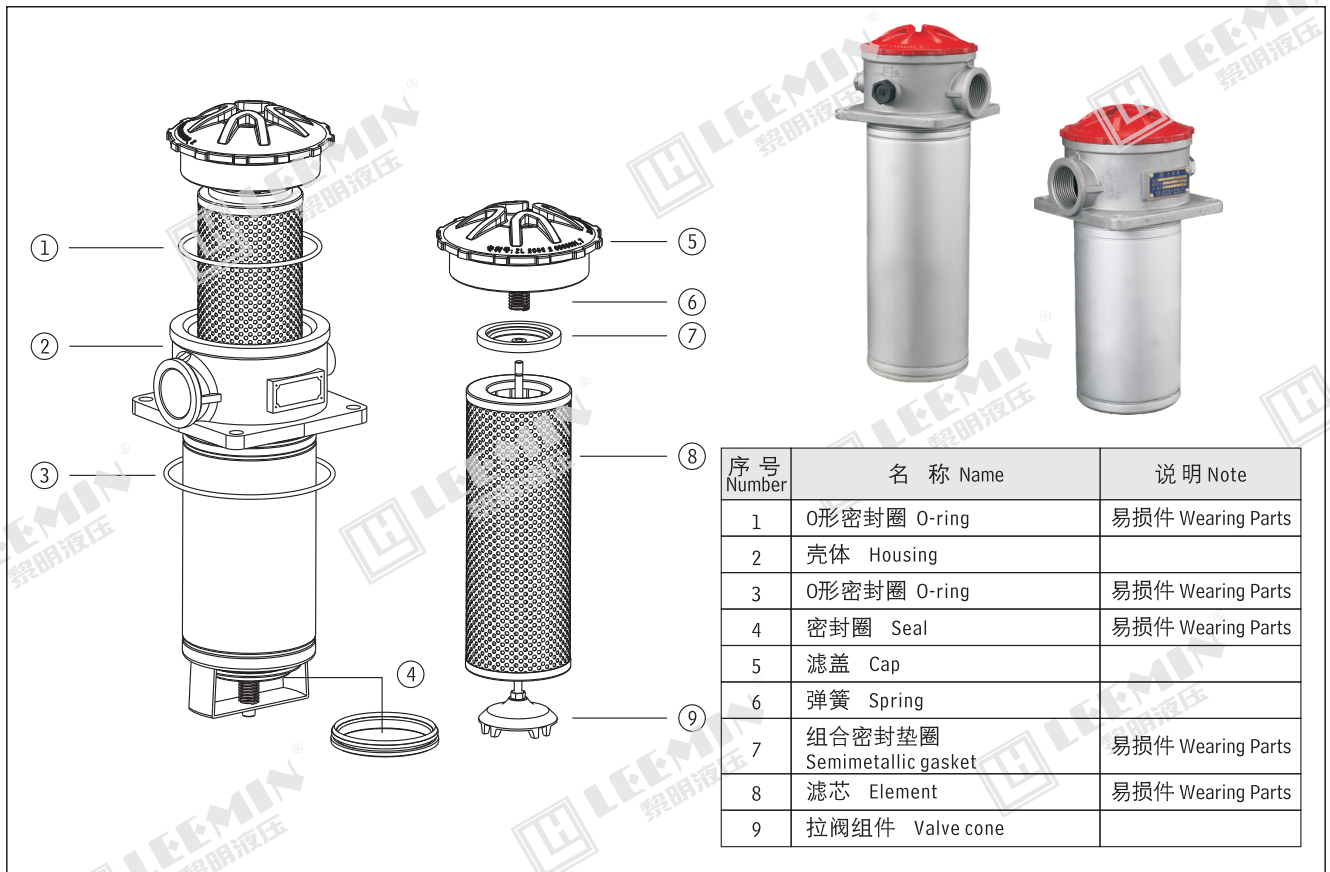
(二) 性能与特点

- 1、本过滤器设有积污挡板，确保沉积在滤芯中的污染物在更换滤芯时，能和滤芯一起清除不会再污染油箱。
- 2、02系列设有自封阀可直接安装在油箱顶部，侧面或底部，当需要维修打开滤盖时，自封阀自动关闭，这样即使它在充满油的油箱中浸没在液位以下时仍保证过滤器正常的维护工作。

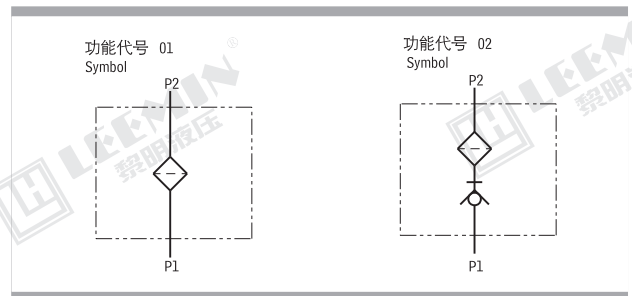
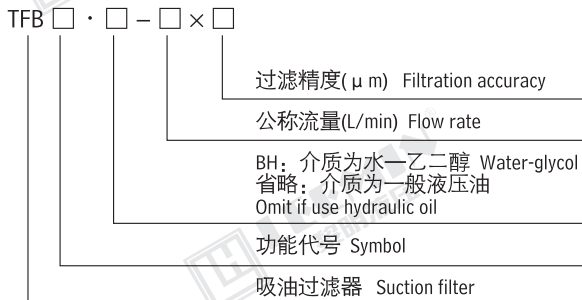
INTRODUCTION

This kind of filter can be used in the hydraulic system of high accuracy suction filtration. Please filter metal or rubber granule or other impurity before use in order to prolong the service life.

1. This filter has dirt accumulated baffle, Ensures that dirt accumulated in the filter element is removed together with the element and cannot return to the tank.
2. TFB02 series with foot valve can be installed on the top, at the side or in the bottom of the tank directly, When the screw-on cover is removed for maintenance, the foot valve closes automatically. This makes it possible to service the filter even if it is submerged below the oil level in a full tank.



(三) 型号说明 MODEL CODE





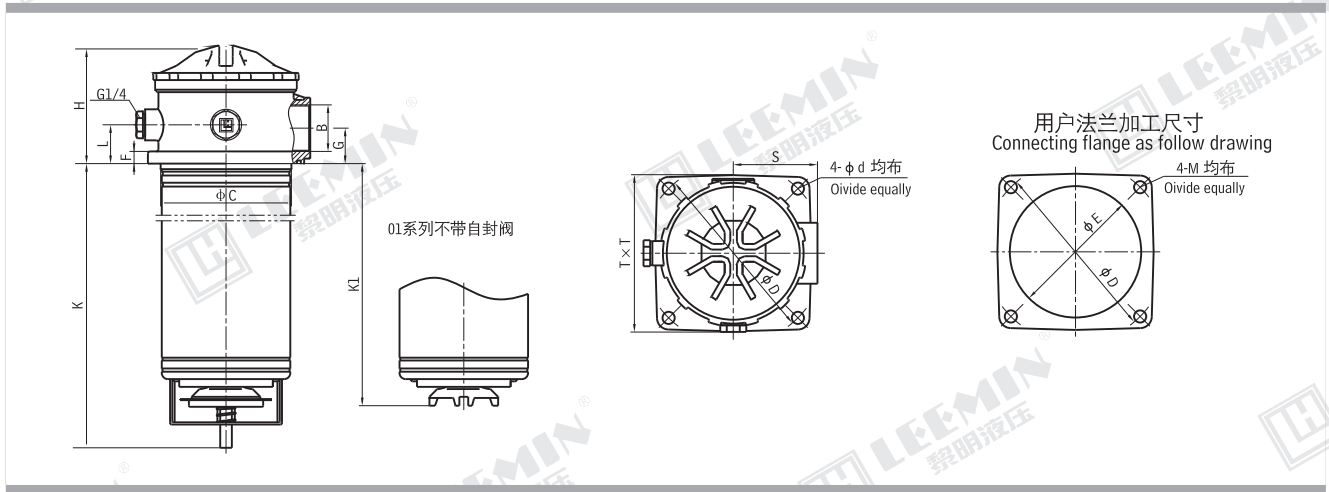
(四) 技术参数 TECHNICAL DATA

型号 Model	公称流量 Flow rate (l/min)	过滤精度 Filtr. (μm)	接口尺寸 Connection	原始压力损失 Initial ΔP (MPa)	滤芯型号 Model of element
TFB□-45 × *	45	10 20	G1 1/4	< 0.01	TFBX-45 × *
TFB□-70 × *	70	30 80			TFBX-70 × *

注：*为过滤精度，若功能代号为01，使用介质为水—乙二醇，公称流量45L/min，过滤精度10 μm ，则过滤器型号为TFB01 · BH-45 × 10，滤芯型号为TFBX · BH-45 × 10。

Note: *is filtration accuracy, If the symbol is 01, fluid is water-glycol, flow rate is 45L/min, filtration accuracy is 10 μm , the model of this filter is TFB01 · BH-45 × 10, the model of element is TFBX · BH-45 × 10.

(五) 连接尺寸 MOUNTING SIZE



型号 Model	B	C	D	d	min. E max.	F	G	H	K	K1	L	M	S	T
TFB□-45	G1 1/4	110	165	11	111/121	11	32	104	257	219	35	M10	76	141
TFB□-70		118			119/121				357	319				